

# DVD Player

DVP3015K, DVP3020, DVP3040, DVP3040K  
DVP3002, DVP3020k, DVP3026k, DVP3026  
DVP3046, DVP3042, DVP3028

# Service

# Service

# Service

DVP3040/12 /37  
DVP3040K/51/55/98/93/78  
DVP3015K/55/93/98/03/74  
DVP3020/98/55/05/94/78/77/75  
DVP3046/94, DVP3020/61/74/96  
DVP3042/12, DVP3028/94  
DVP3026K/93/98  
DVP3026/94  
DVP3020K/98/61/55/03/74/96  
DVP3002/93



# Service Manual

Copyright 2006 Philips Consumer Electronics B.V. Eindhoven, The Netherlands  
All rights reserved. No part of this publication may be reproduced, stored in a retrieval system or transmitted, in any form or by any means, electronic, mechanical, photocopying, or otherwise without the prior permission of Philips.

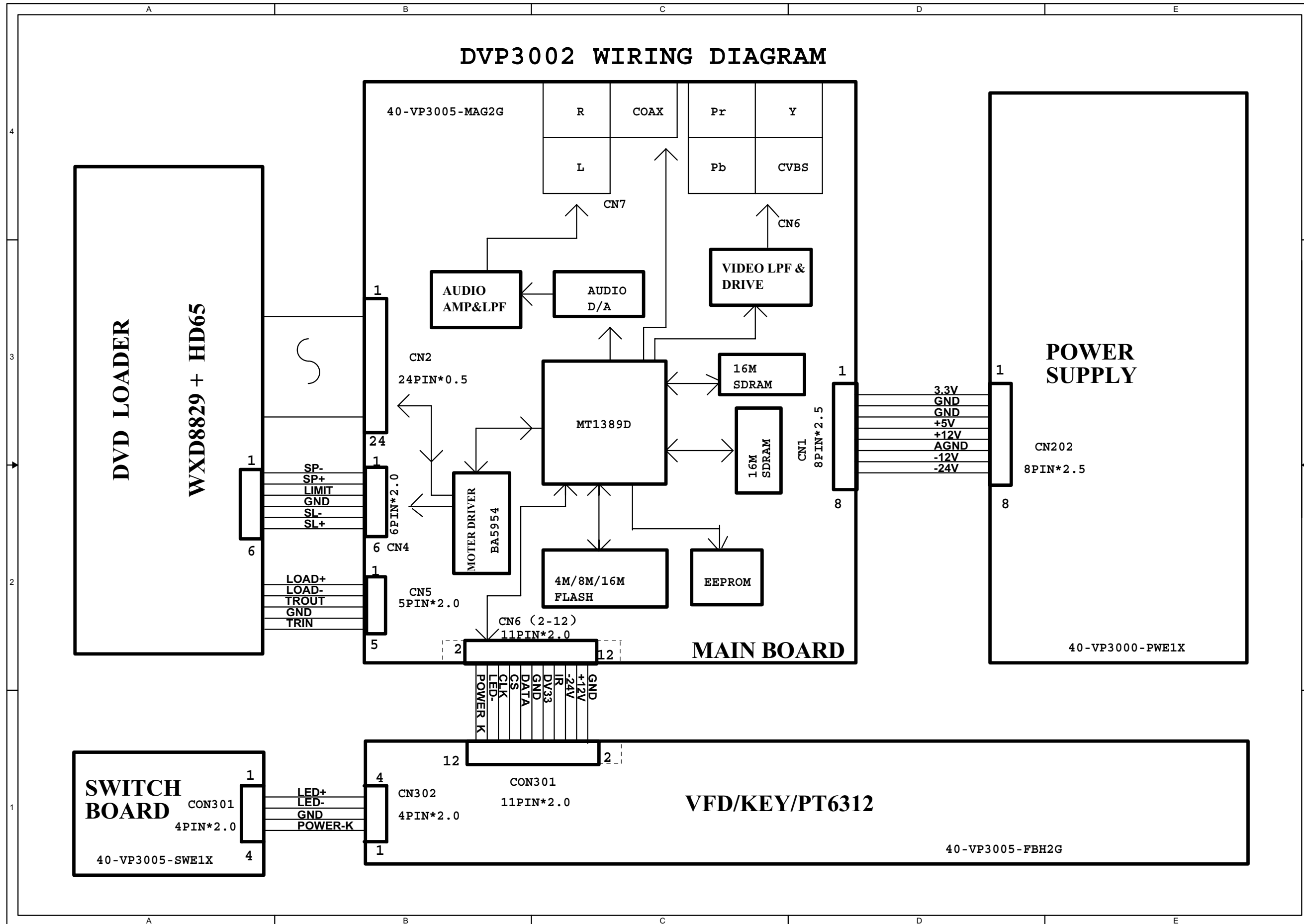
Published by TCL-HY 0601 Service Audio Printed in The Netherlands Subject to modification  
Version 1.2

**CLASS 1  
LASER PRODUCT**

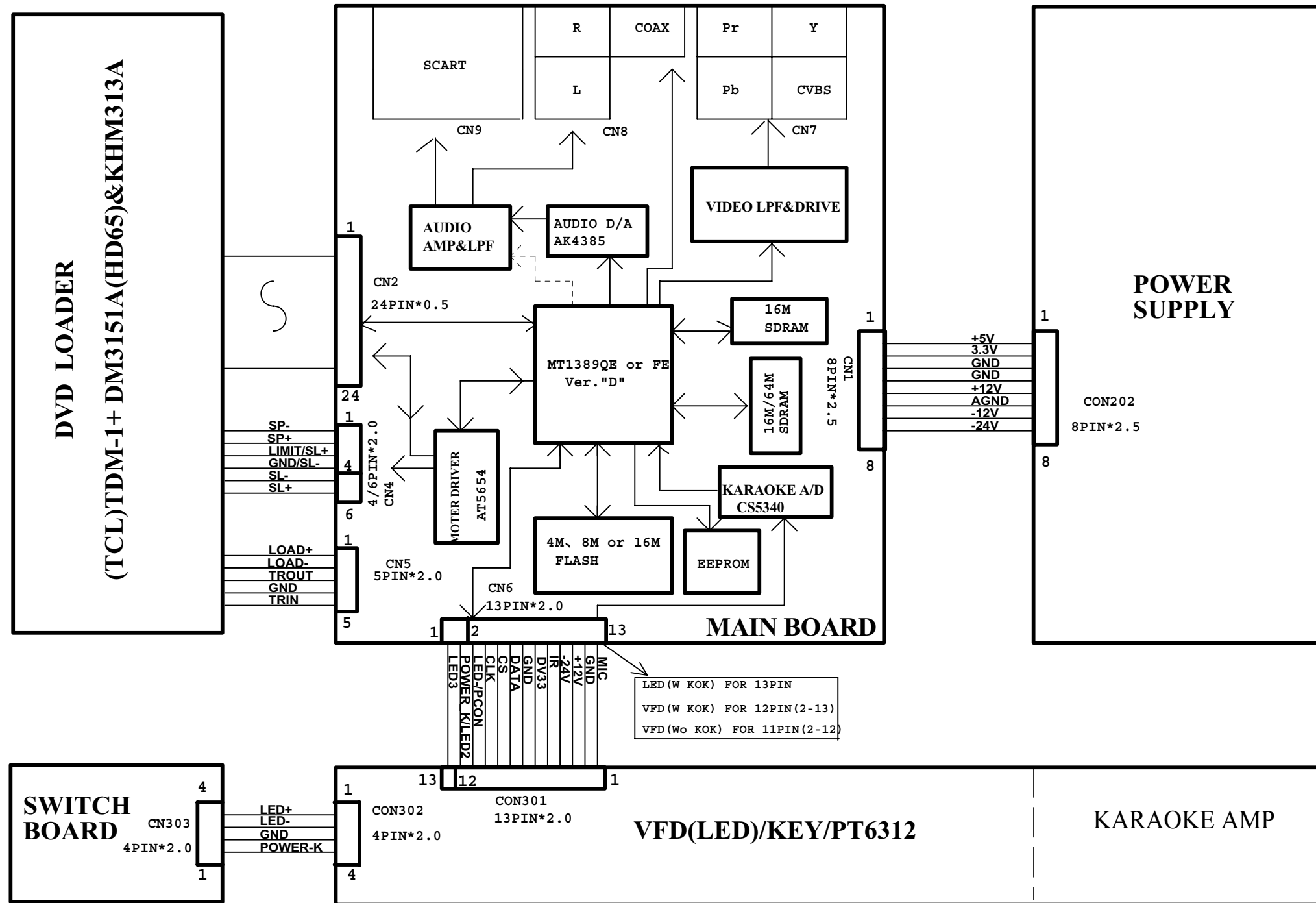
GB 3139 785 31742

# PHILIPS

### DVP3002 WIRING DIAGRAM

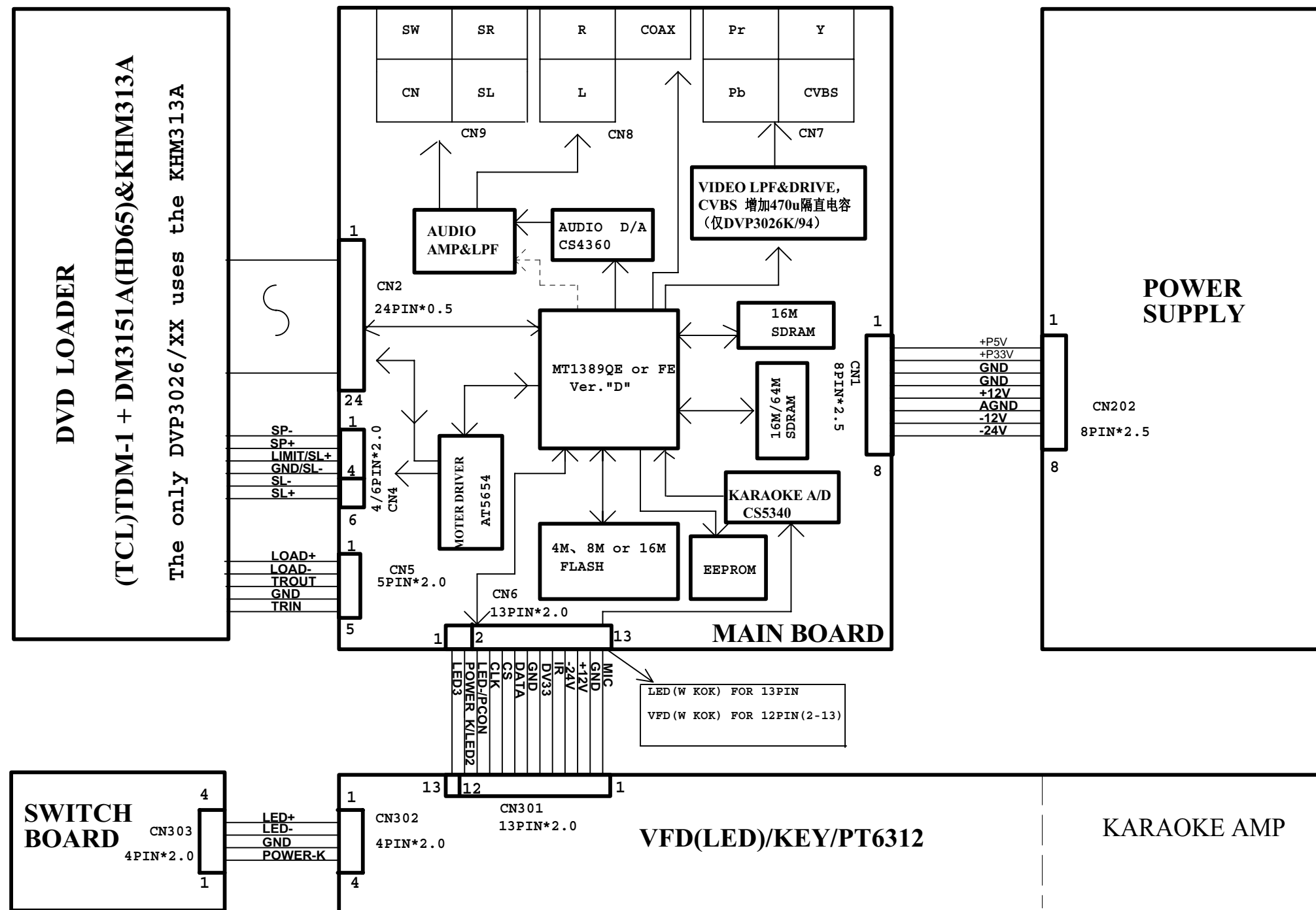


### DVP3015K/3020/3020K WIRING DIAGRAM

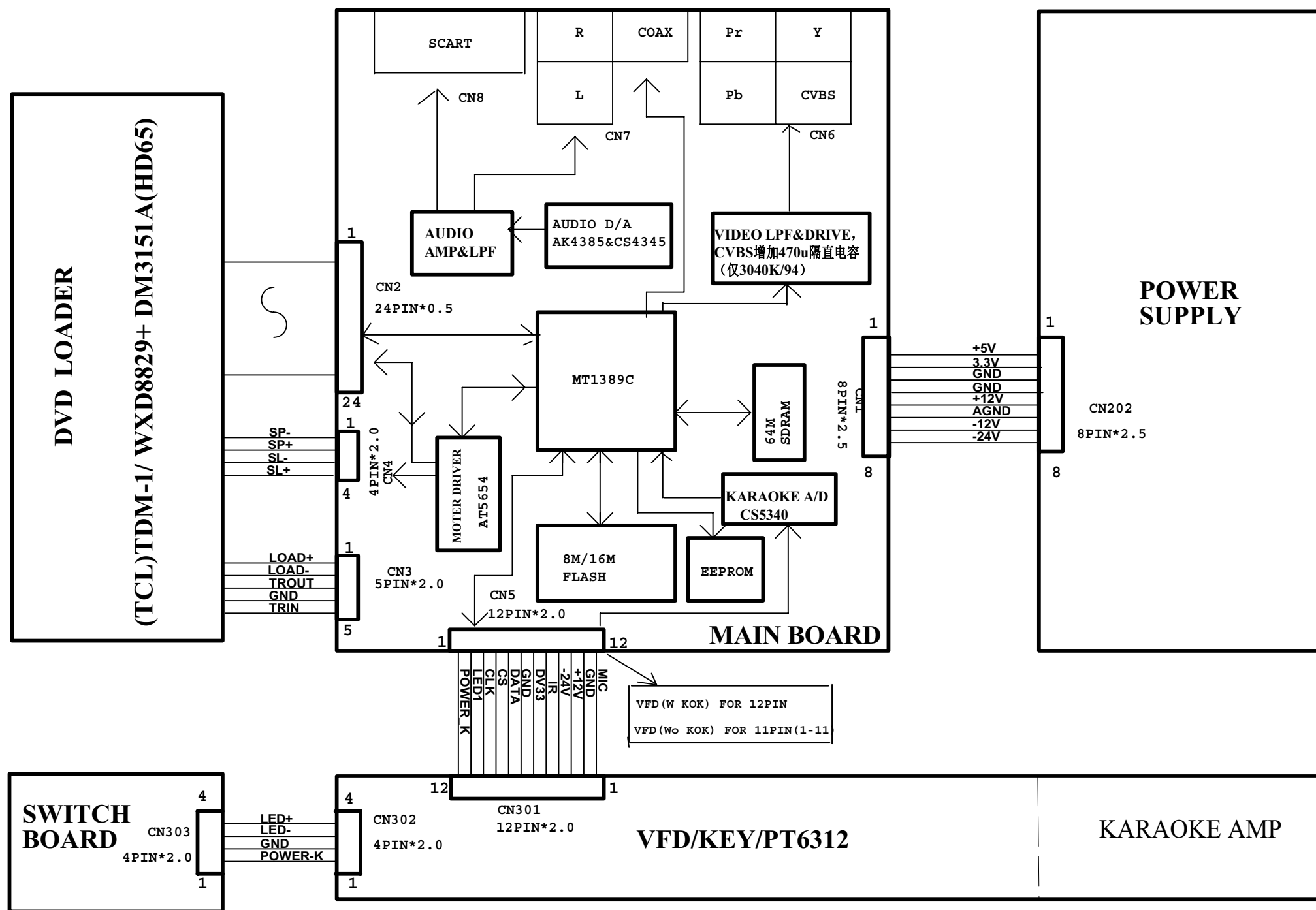


Remarks: DVP3020 version has no Karaoke output, DVP3020/05 version has SCART output.

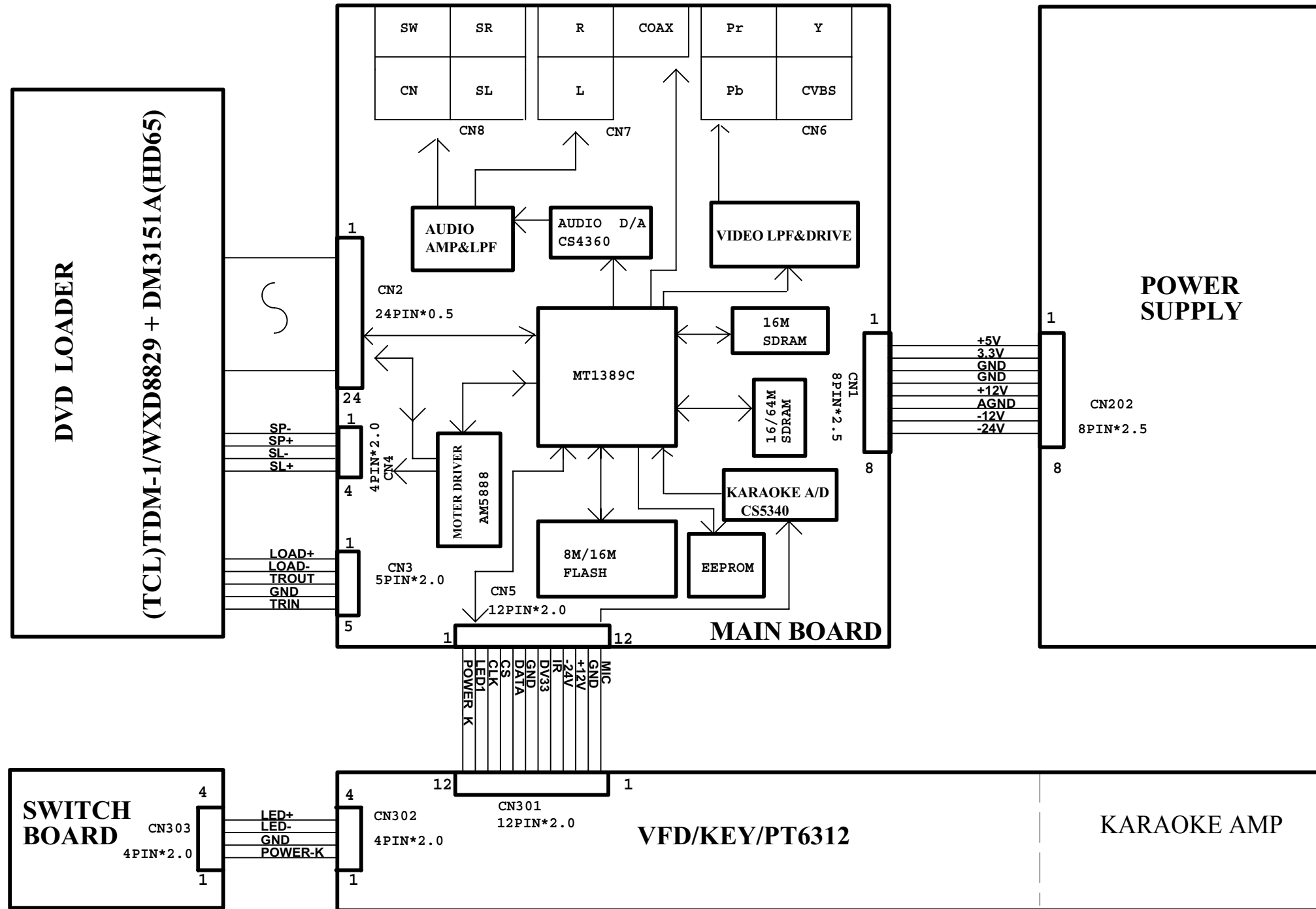
### DVP3015K/93, 3026 (K) /XX, 3028 WIRING DIAGRAM



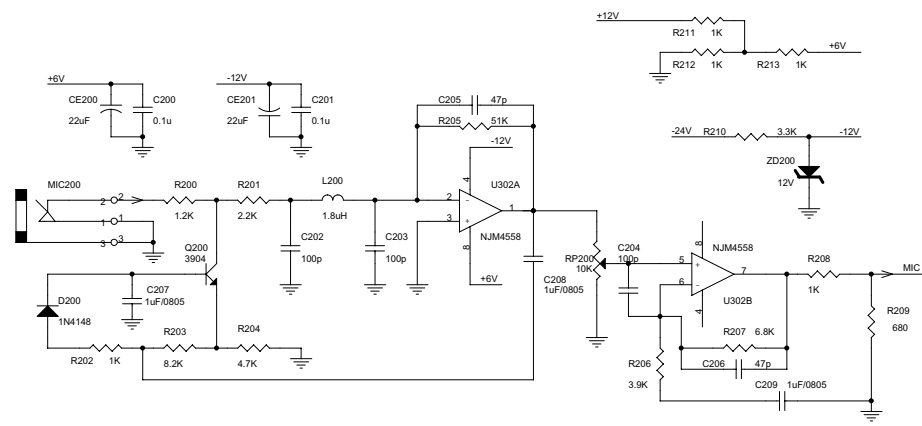
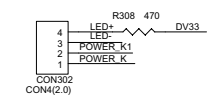
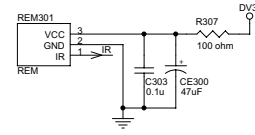
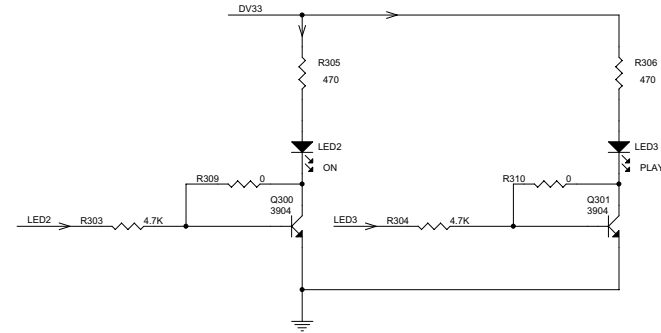
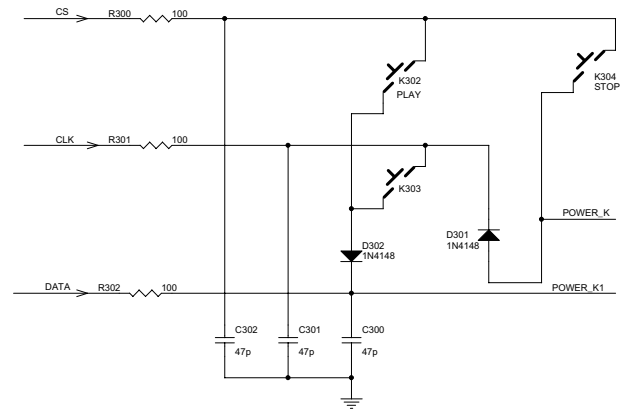
### DVP3040/XX, 3040K/XX DVP3042/12 WIRING DIAGRAM



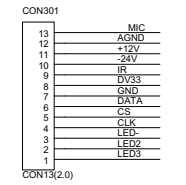
### DVP3046/94、3040K/93 WIRING DIAGRAM



Front Board for DVP3015K



FROM MAIN BOARD

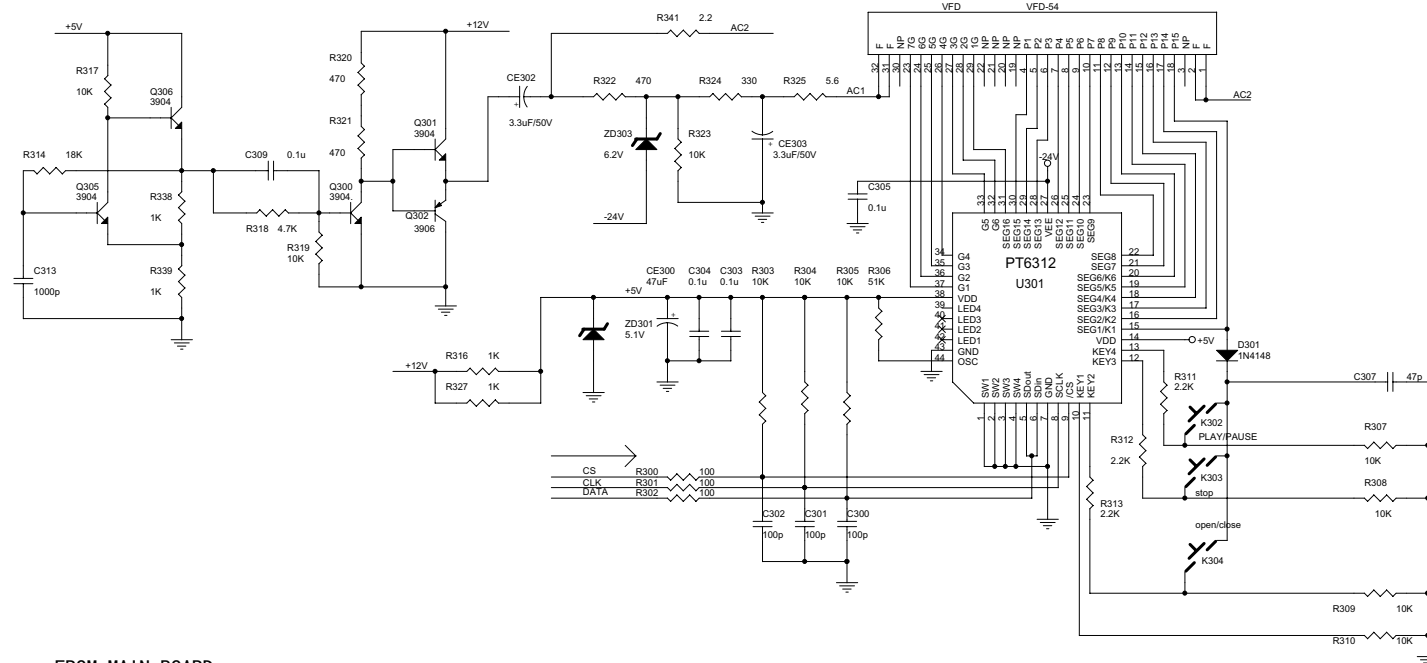


C200	C1	R300	A1
C201	C1	R301	B1
C202	D1	R302	B1
C203	D1	R303	B3
C204	D2	R304	B3
C205	C2	R305	A3
C206	D2	R306	A4
C207	D1	R307	C3
C208	D2	R308	C3
C209	D2	R309	B3
C300	B1	R310	B4
C301	B1	K302	A1
C302	B2	K303	B1
C303	C3	K304	A2
CE200	C1	D200	D1
CE201	C1	ZD200	D2
CE300	C3	D301	B2
R200	D1	D302	B1
R201	D1	Q200	D1
R202	D1	Q300	B3
R203	D1	Q301	B4
R204	D1	LED2	B3
R205	C2	LED3	B4
R206	D2	MIC200	D1
R207	D2	U302	D2
R208	D2	RP200	D2
R209	D2	REM301	C3
R210	C2	CN301	D3
R211	C2	CN302	C3
R212	C2		

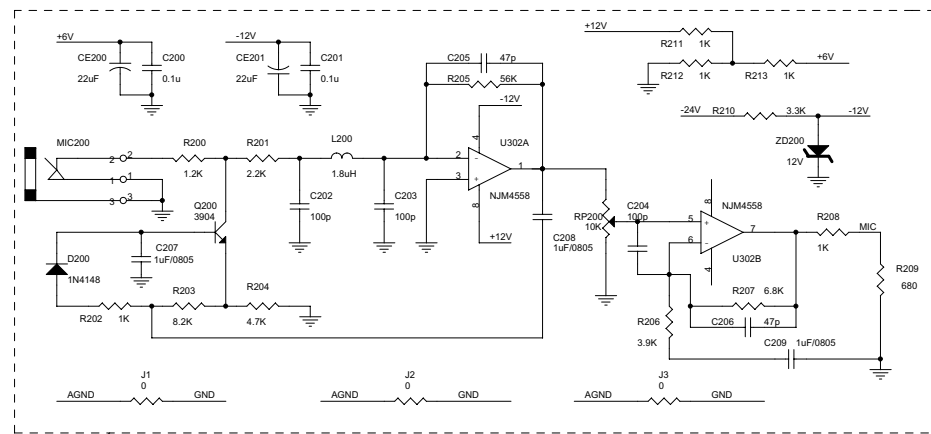
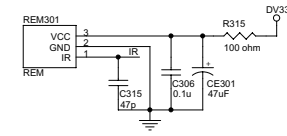
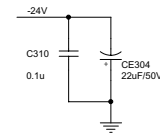
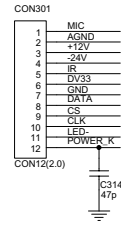




Front Board For DVP3020(K)/3026(K)/3028/3040(K)/3042/3046

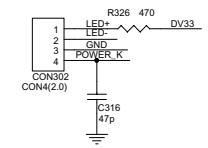


FROM MAIN BOARD

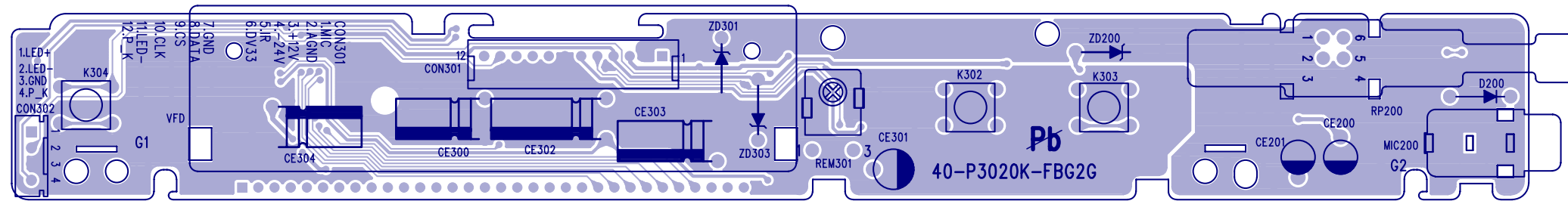


When have no karaoke, this inside of circle a piece is "OPEN"

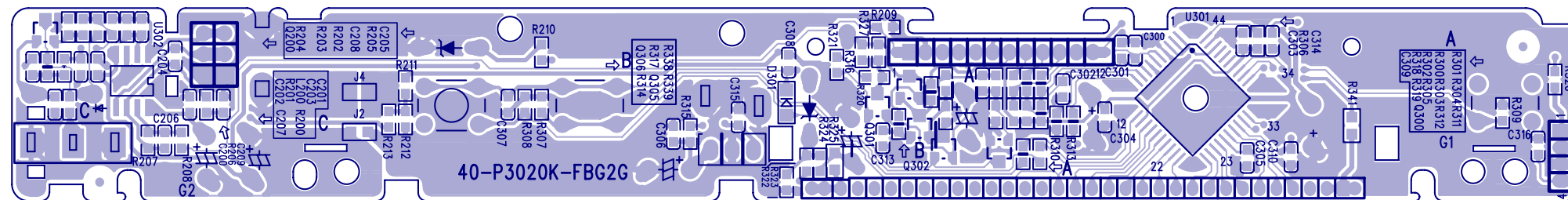
R200	E1	C305	B3
R201	E2	C306	D4
R202	E1	C307	B4
R203	E1	C308	B4
R204	E2	C309	B1
R205	E2	C310	D2
R206	E2	C311	C4
R207	E3	C312	C4
R208	E3	C313	B1
R209	E3	C314	D1
R210	E3	C315	D4
R300	C2	C316	E4
R301	C2	CE200	E1
R302	C2	CE201	E2
R303	B3	CE300	B2
R304	B3	CE301	D4
R305	B3	CE302	A2
R306	B3	CE303	A3
R307	B4	CE304	D2
R308	C4	J1	F1
R309	C4	J2	F2
R310	C4	J3	F2
R311	B3	L200	E2
R312	B3	Q200	E1
R313	C3	Q300	B2
R314	B1	Q301	B2
R315	D5	Q302	B2
R316	B2	Q305	B1
R317	A1	Q306	A1
R318	B1	D200	E1
R319	B2	D301	B4
R320	A2	D302	B4
R321	A2	ZD200	E3
R322	A2	ZD301	B2
R323	A2	ZD303	A2
R324	A2	U302A	E2
R325	A3	U302B	E3
R326	E4	RP200	E2
R338	B1	MIC200	E1
R339	B1	K302	B4
C200	E1	K303	C4
C201	E2	K304	C4
C202	E2	K305	B4
C203	E2		
C204	E2	U301	B3
C205	E2	CON301	C1
C206	E3	CON302	E4
C207	E1	REM301	D4
C208	E2	VFD	A3
C209	F3		
C300	C3		
C301	C3		
C302	C3		
C303	B3		
C304	B2		



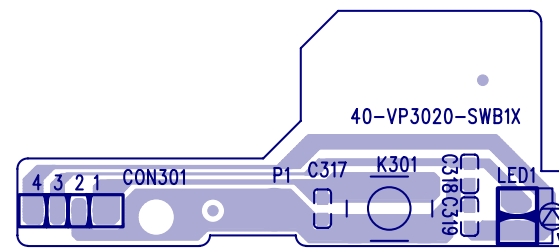
Front Board Print-layout (Top Side) for DVP3020(K)/3026(K)/3028/3040(K)/3042/3046



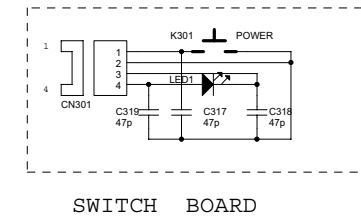
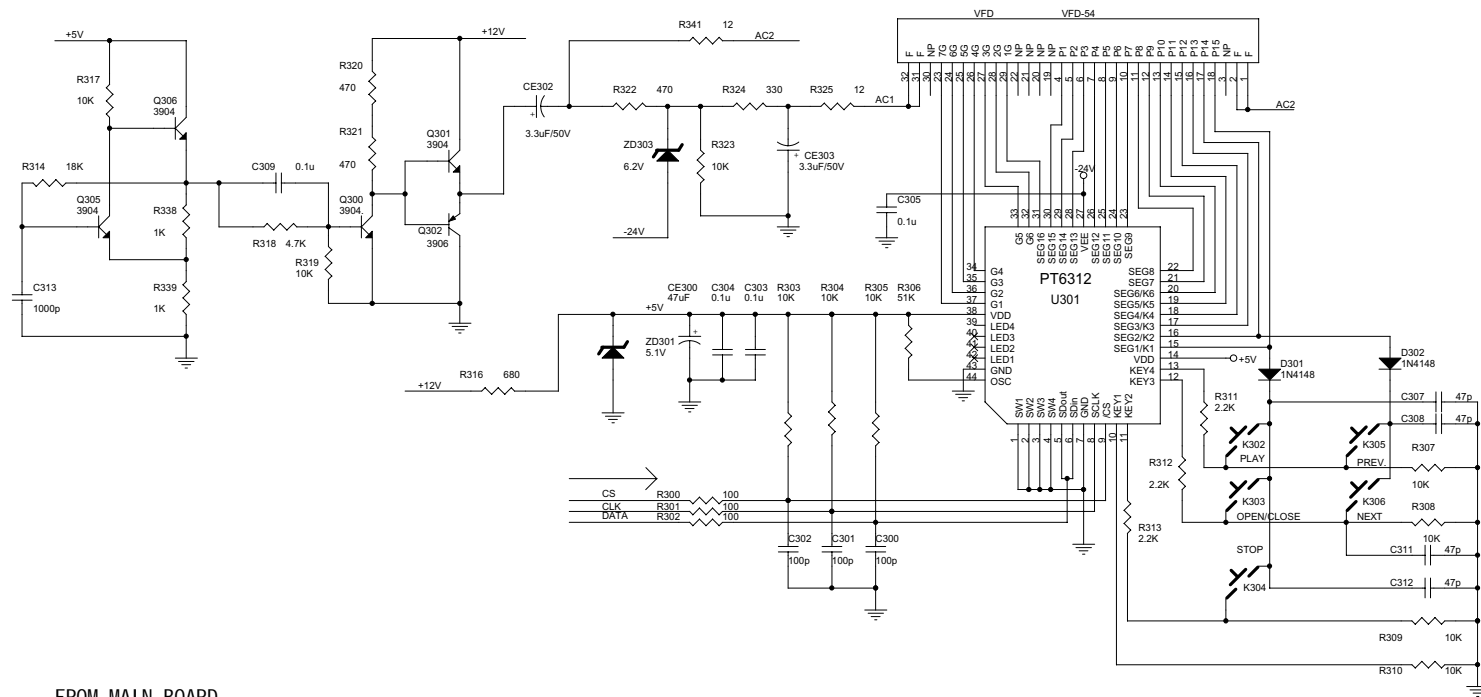
Front Board Print-layout (Bottom Side) for DVP3020(K)/3026(K)/3028/3040(K)/3042/3046



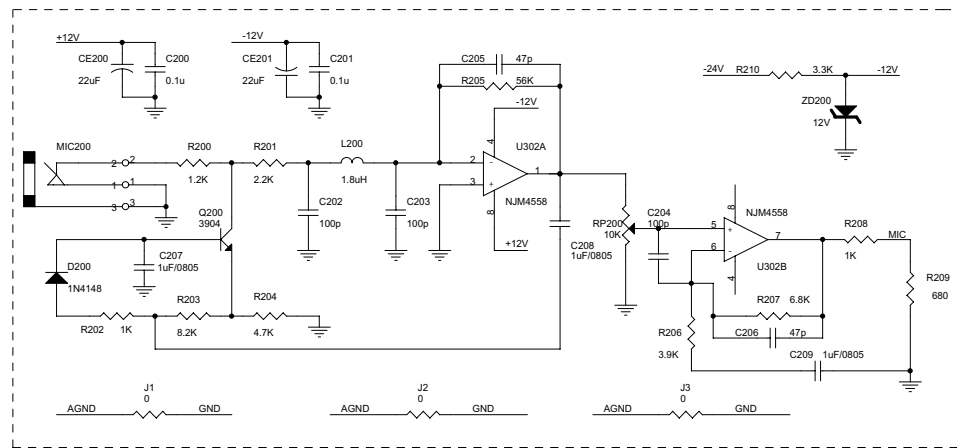
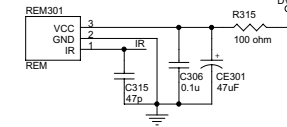
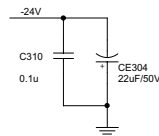
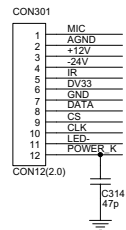
SW Board Print-layout (Bottom Side) for DVP3020(K)/3026(K)/3028/3040(K)/3042/3046



Front Board for DVP3002



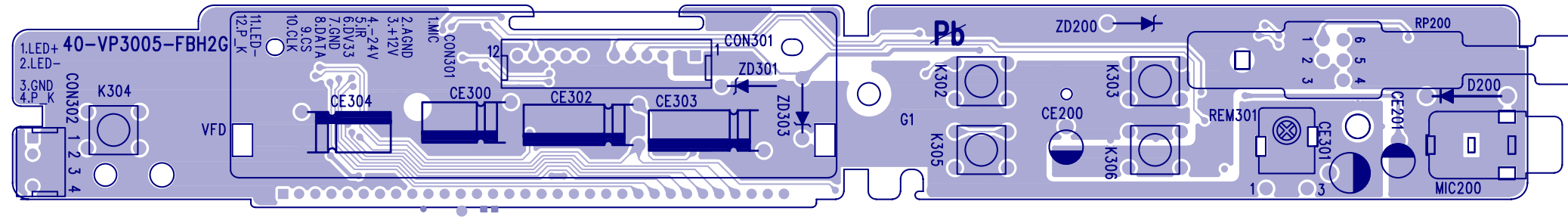
FROM MAIN BOARD



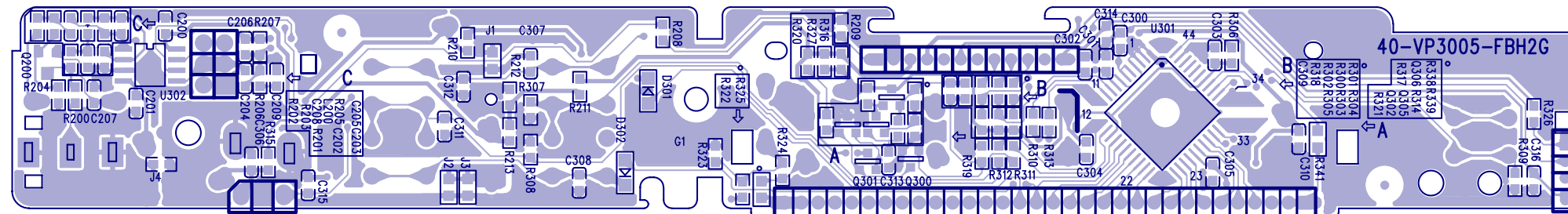
When have no karaoke, this inside of circle a piece is "OPEN"

R200	E1	C305	B3
R201	E2	C306	D4
R202	E1	C307	B4
R203	E1	C308	B4
R204	E2	C309	B1
R205	E2	C310	D2
R206	E2	C311	C4
R207	E3	C312	C4
R208	E3	C313	B1
R209	E3	C314	D1
R210	E3	C315	D4
R300	C2	C316	E4
R301	C2	C317	A5
R302	C2	C318	A5
R303	B3	C319	A5
R304	B3		
R305	B3	CE200	E1
R306	B3	CE201	E2
R307	B4	CE300	B2
R308	C4	CE301	D4
R309	C4	CE302	A2
R310	C4	CE303	A3
R311	B3	CE304	D2
R312	B3	CON301	C1
R313	C3	CON302	E4
R314	B1	J1	F1
R315	D5	J2	F2
R316	B2	J3	F2
R317	A1	J3	F2
R318	B1	LED1	A5
R319	B2	L200	E2
R320	A2	Q200	E1
R321	A2	Q300	B2
R322	A2	Q301	B2
R323	A2	Q302	B2
R324	A2	Q305	B1
R325	A3	Q306	A1
R326	E4	D200	E1
R338	B1	D301	B4
R339	B1	D302	B4
REM301	D4	ZD200	E3
RP200	E2	ZD301	B2
C200	E1	ZD303	A2
C201	E2	U302A	E2
C202	E2	U302B	E3
C203	E2	MIC200	E1
C204	E2	K301	A5
C205	E2	K302	B4
C206	E3	K303	C4
C207	E1	K304	C4
C208	E2	K305	B4
C209	F3	K306	C4
C300	C3	U301	B3
C301	C3	VFD	A3
C302	C3		
C303	B3		
C304	B2		

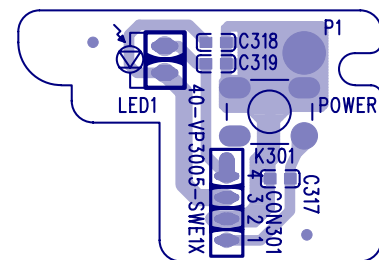
Front Board Print-layout (Top Side) for DVP3002



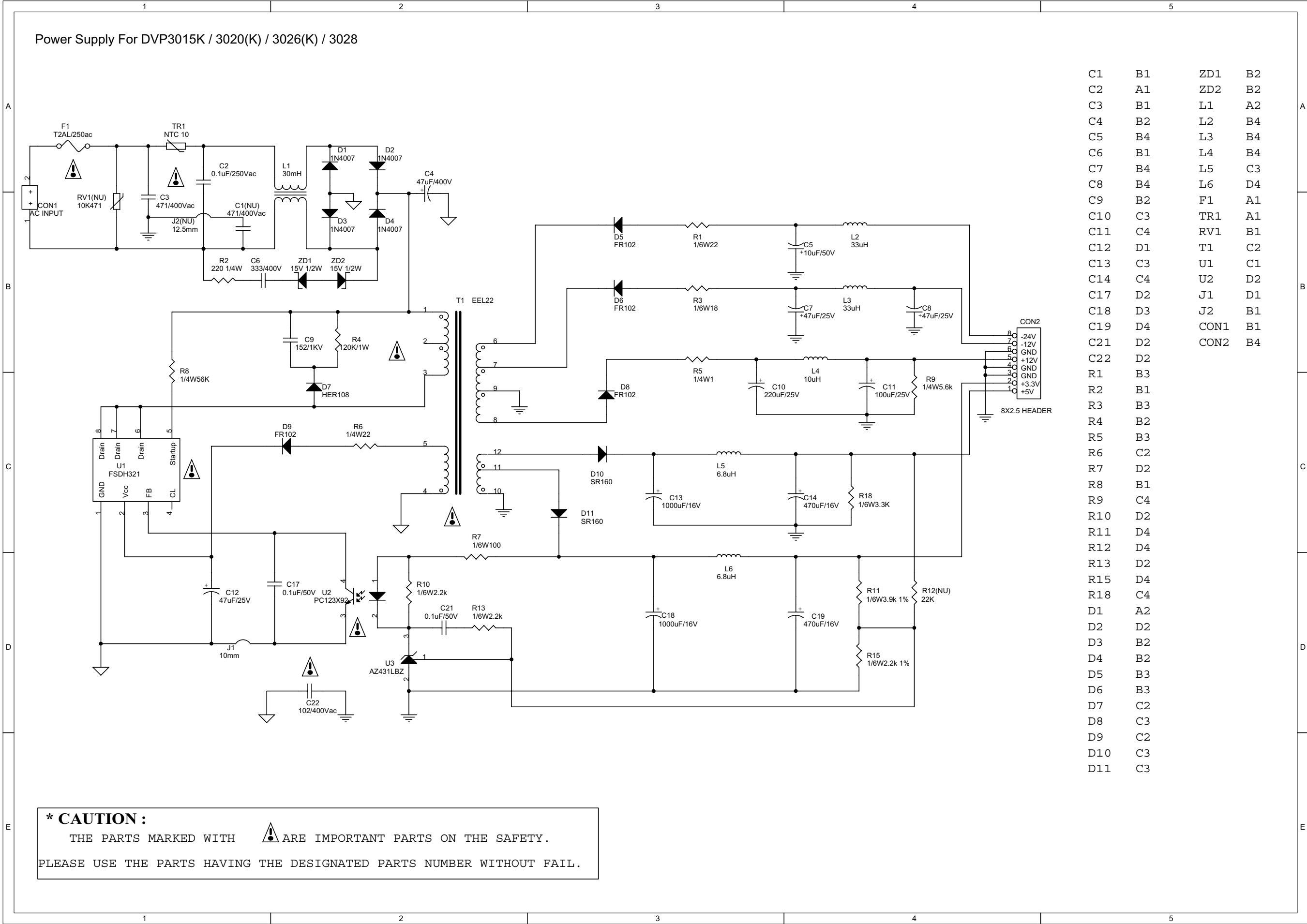
Front Board Print-layout (Bottom Side) for DVP3002



Switch Board Print-layout (Bottom Side) for DVP3002



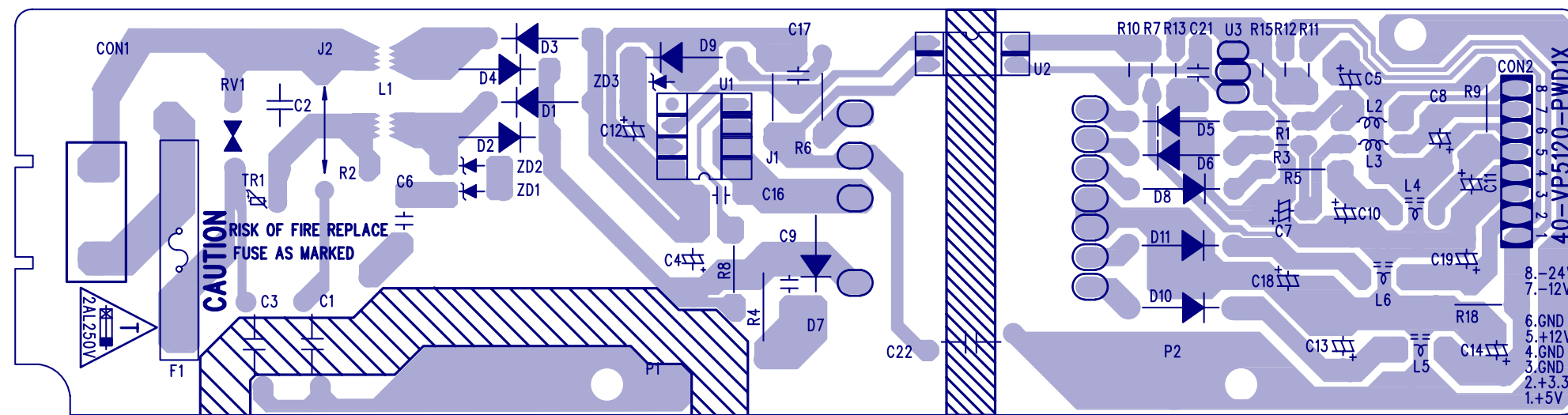
Power Supply For DVP3015K / 3020(K) / 3026(K) / 3028



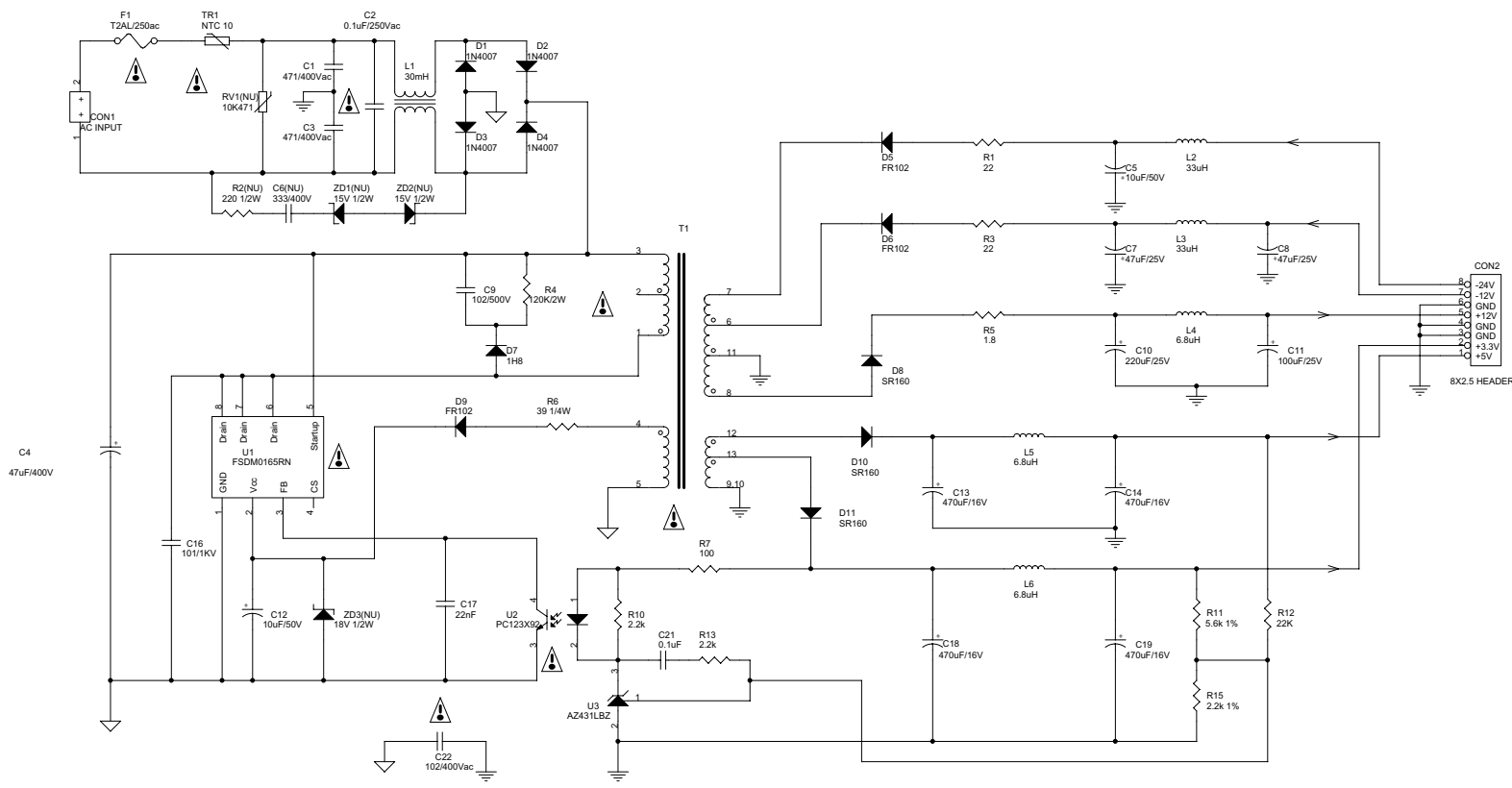
C1	B1	ZD1	B2
C2	A1	ZD2	B2
C3	B1	L1	A2
C4	B2	L2	B4
C5	B4	L3	B4
C6	B1	L4	B4
C7	B4	L5	C3
C8	B4	L6	D4
C9	B2	F1	A1
C10	C3	TR1	A1
C11	C4	RV1	B1
C12	D1	T1	C2
C13	C3	U1	C1
C14	C4	U2	D2
C17	D2	J1	D1
C18	D3	J2	B1
C19	D4	CON1	B1
C21	D2	CON2	B4
C22	D2		
R1	B3		
R2	B1		
R3	B3		
R4	B2		
R5	B3		
R6	C2		
R7	D2		
R8	B1		
R9	C4		
R10	D2		
R11	D4		
R12	D4		
R13	D2		
R15	D4		
R18	C4		
D1	A2		
D2	D2		
D3	B2		
D4	B2		
D5	B3		
D6	B3		
D7	C2		
D8	C3		
D9	C2		
D10	C3		
D11	C3		

**\* CAUTION :**  
 THE PARTS MARKED WITH ARE IMPORTANT PARTS ON THE SAFETY.  
 PLEASE USE THE PARTS HAVING THE DESIGNATED PARTS NUMBER WITHOUT FAIL.


Power Board Print-layout (Bottom Side) for DVP3015K / 3020(K) / 3026(K) / 3028



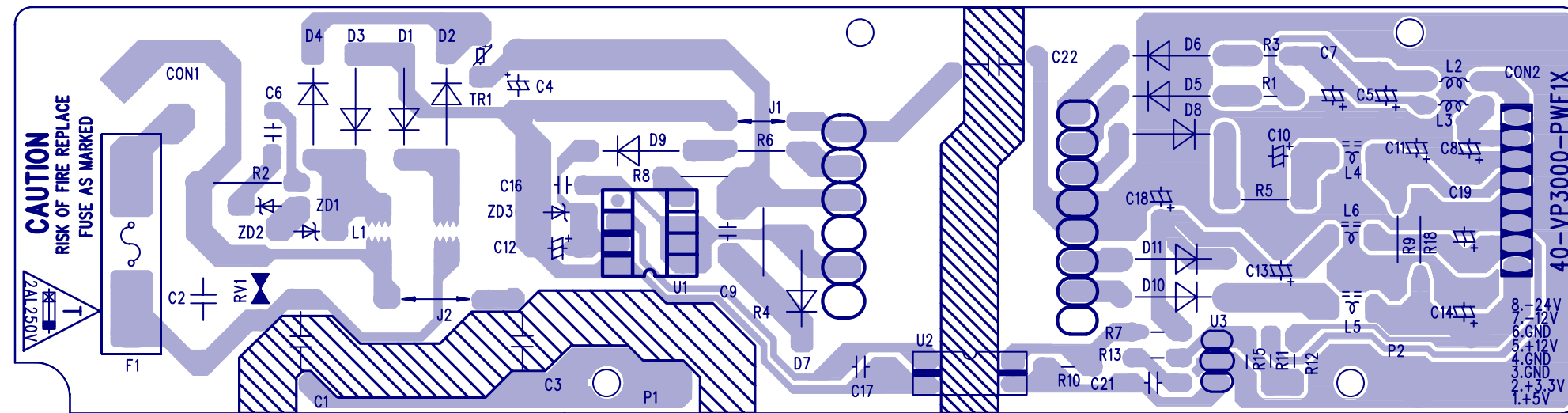
Power Supply for DVP3040(K)/3042/3046



CON1	B1	C14	C3
CON2	C4	C16	D1
R1	B3	C17	D2
R2	B1	C18	D3
R3	B3	C19	D4
R4	C2	C1	B2
R5	C3	C21	D2
R6	C2	C22	D2
R7	D3	D1	B2
R10	D2	D2	B2
R11	D4	D3	B2
R12	D4	D4	B2
R13	D3	D5	B3
R15	D4	D6	B3
R16	C4	D7	C2
L2	B4	D8	C3
L3	B4	D9	C2
L4	C4	D10	C3
L5	C3	D11	C3
L6	D3	ZD1	B2
C1	B2	ZD2	B2
C2	B2	ZD3	D2
C3	B2	U1	C2
C4	C1	U2	D2
C5	B4	U3	D2
C6	B2	F1	B1
C7	C4	TR1	B1
C8	C4	RV1	B2
C9	C2	L1	B2
C10	C4	T1	C2
C11	C4	CON1	B1
C12	D2	CON2	C4
C13	C3		

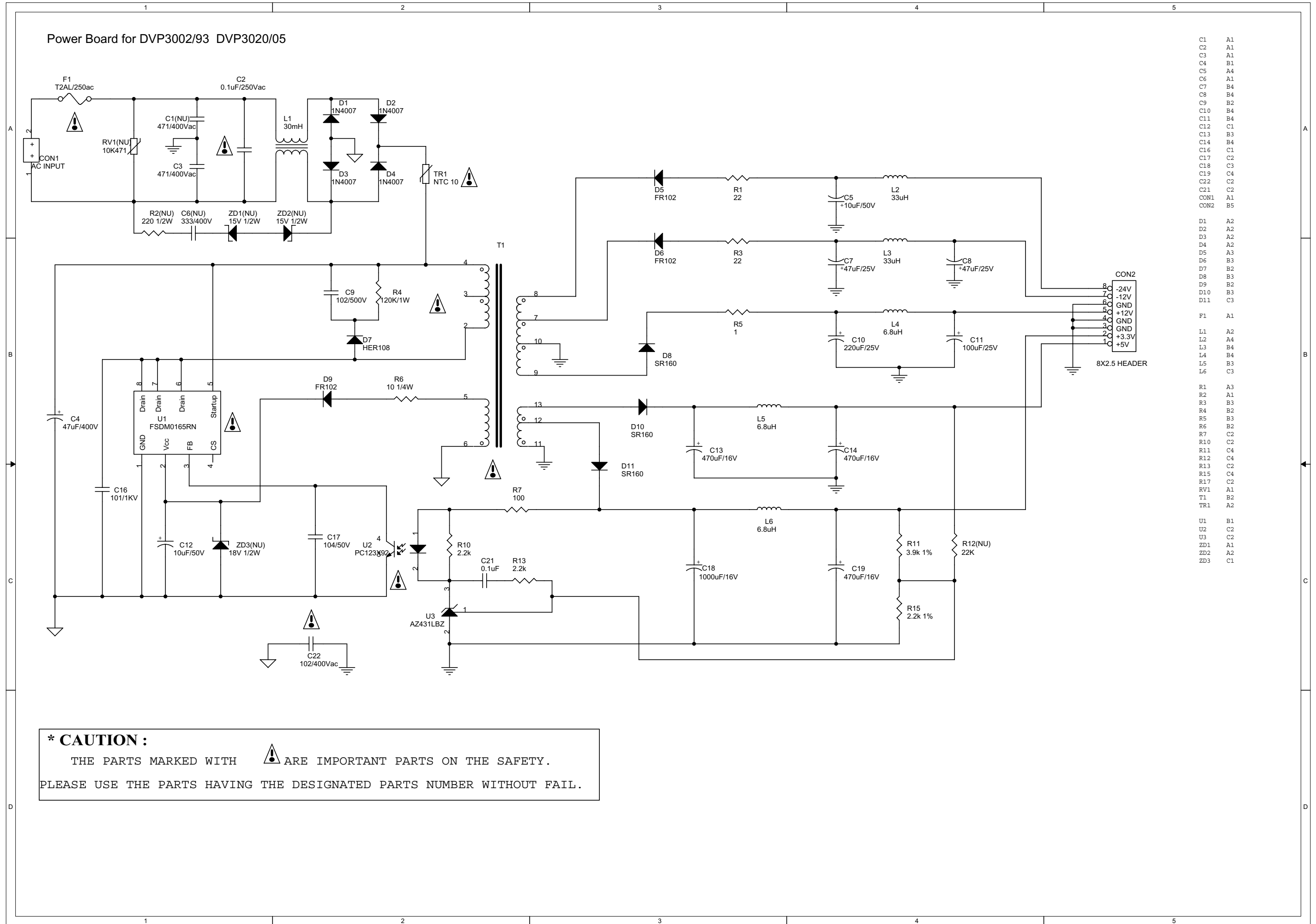
**\* CAUTION :**  
 THE PARTS MARKED WITH  ARE IMPORTANT PARTS ON THE SAFETY.  
 PLEASE USE THE PARTS HAVING THE DESIGNATED PARTS NUMBER WITHOUT FAIL.

Power Board Print-layout (Bottom Side) for DVP3040(K)/3042/3046






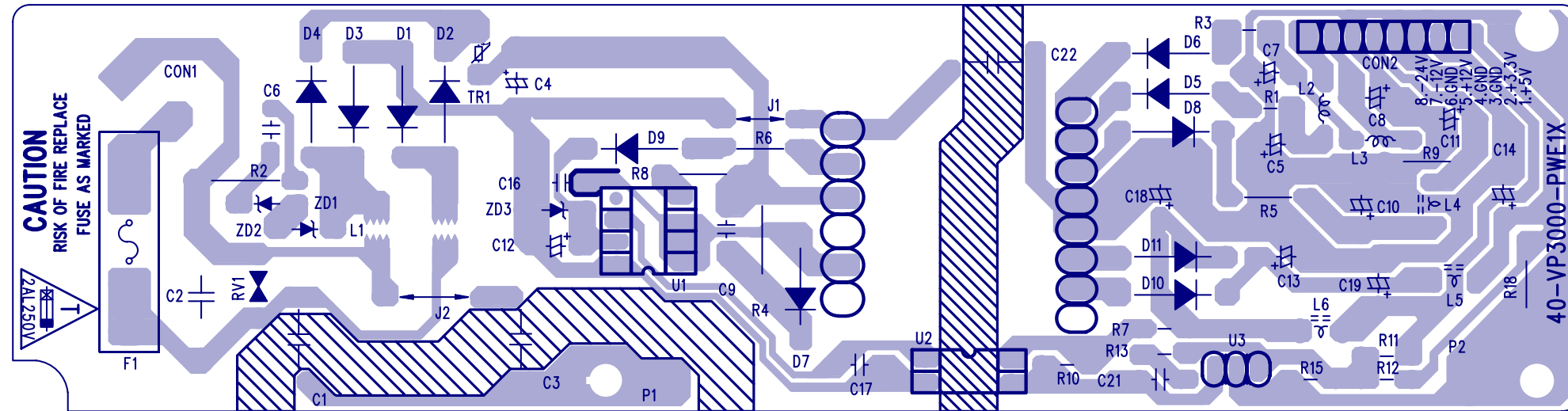
Power Board for DVP3002/93 DVP3020/05



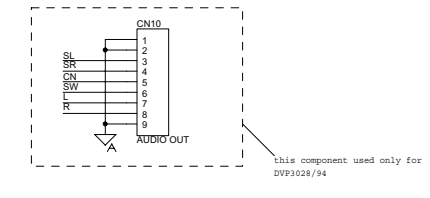
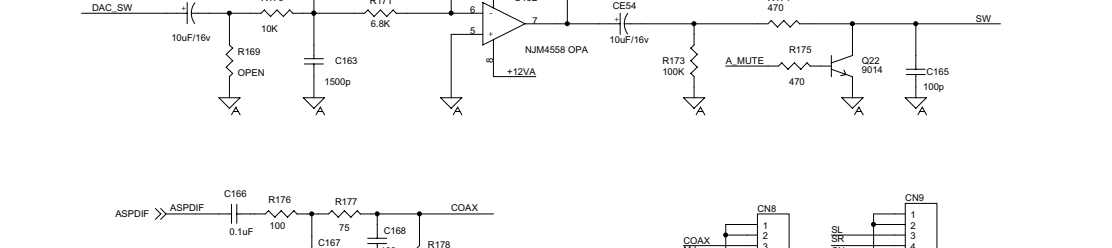
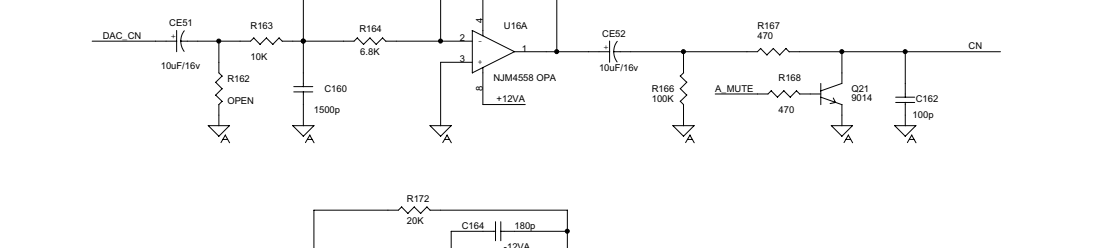
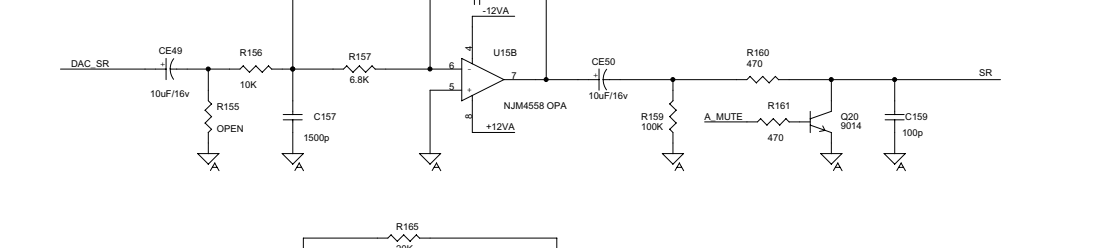
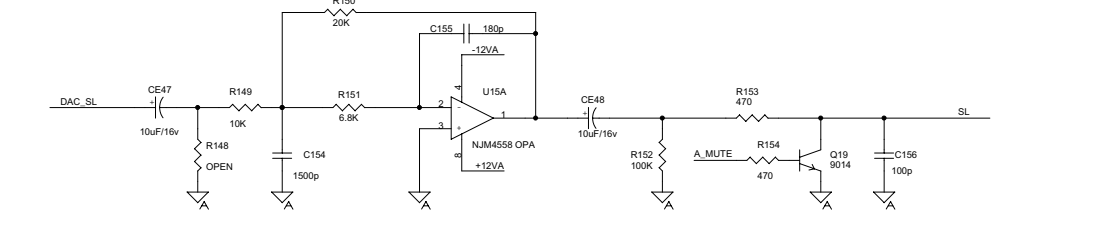
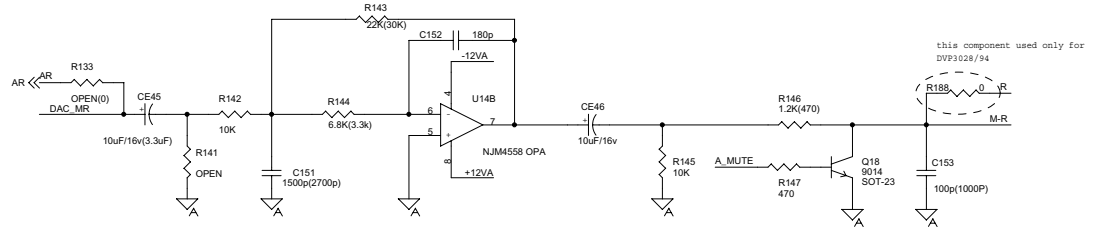
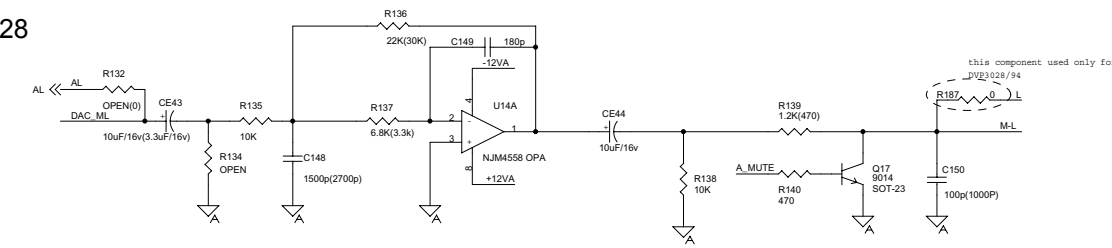
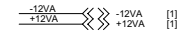
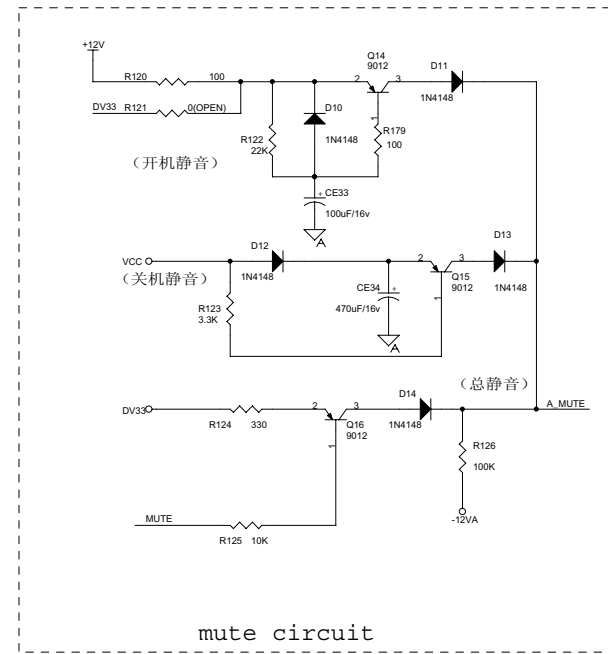
C1	A1
C2	A1
C3	A1
C4	B1
C5	A4
C6	A1
C7	B4
C8	B4
C9	B2
C10	B4
C11	B4
C12	C1
C13	B3
C14	B4
C16	C1
C17	C2
C18	C3
C19	C4
C22	C2
C21	C2
CON1	A1
CON2	B5
D1	A2
D2	A2
D3	A2
D4	A3
D5	B3
D6	B2
D7	B3
D8	B2
D9	B2
D10	B3
D11	C3
F1	A1
L1	A2
L2	A4
L3	B4
L4	B4
L5	B3
L6	C3
R1	A3
R2	A1
R3	B3
R4	B2
R5	B3
R6	B2
R7	C2
R10	C2
R11	C4
R12	C4
R13	C2
R15	C4
R17	C2
RV1	A1
T1	B2
TR1	A2
U1	B1
U2	C2
U3	C2
ZD1	A1
ZD2	A2
ZD3	C1

**\* CAUTION :**  
 THE PARTS MARKED WITH  ARE IMPORTANT PARTS ON THE SAFETY.  
 PLEASE USE THE PARTS HAVING THE DESIGNATED PARTS NUMBER WITHOUT FAIL.

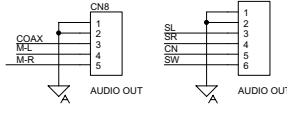
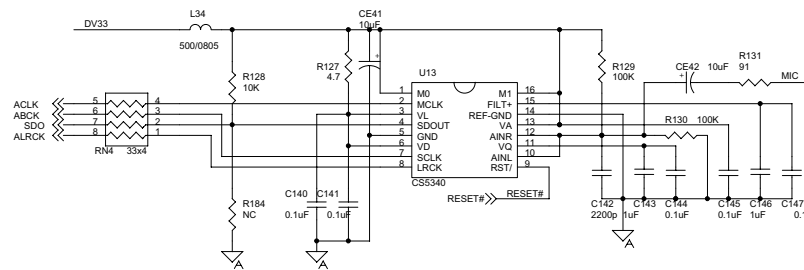
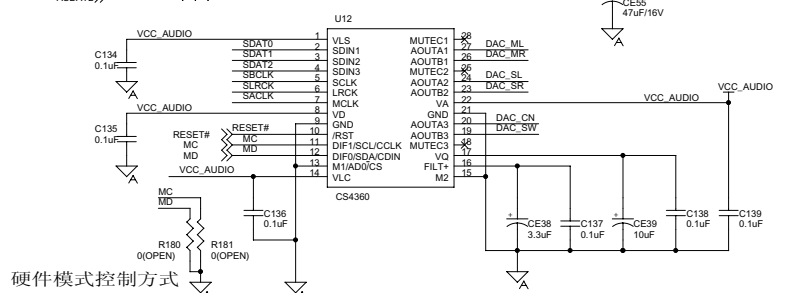
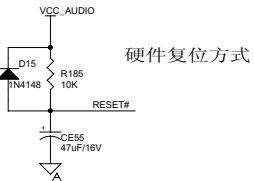
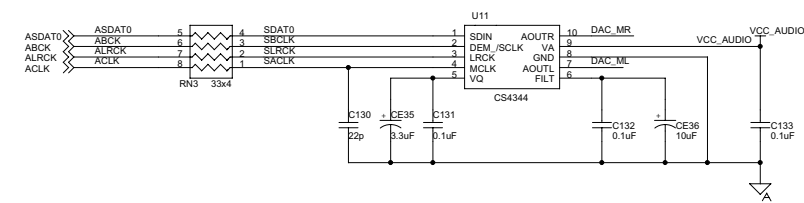
Power Board Print-layout (Top Side) for DVP3002/93 DVP3020/05



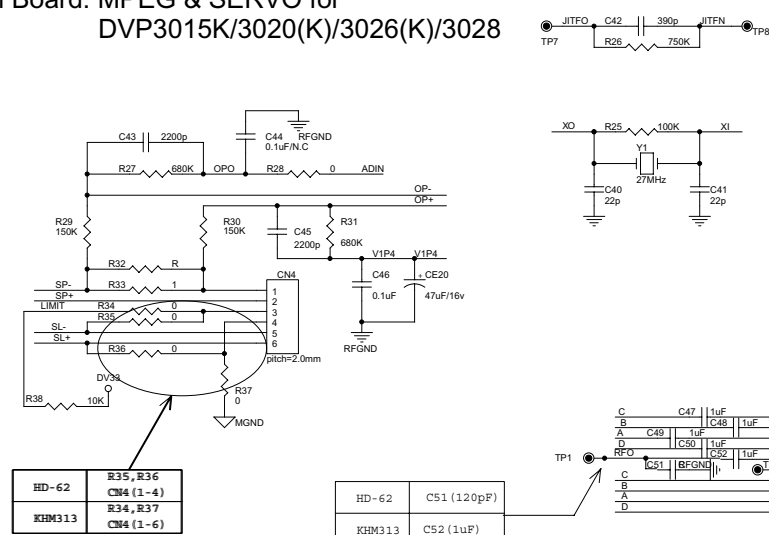
Main Board : AUDIO FILTER & OUT PUT for DVP3015K /3020(K)/3026(K)/3028



C130	C1	CE52	D3	R165	D3
C131	C1	CE53	E3	R166	D4
C132	C2	CE54	E3	R167	D4
C133	C2	CE55	D2	R168	D4
C134	D1	CE50	C3	R169	E3
C135	D1	CE50	C3	R170	E3
C136	D1	RN3	C1	R171	E3
C137	D2	RN4	E1	R172	D3
C138	D2	CN8	E4	R173	E4
C139	D2	CN9	E4	R174	E4
C140	E1	CN10	A5	R175	E3
C141	E1	R120	A1	R176	E3
C142	E2	R121	A1	R177	E3
C143	E2	R122	A1	R178	E3
C144	E2	R123	A1	R179	A1
C145	E2	R124	B1	R180	D1
C146	E2	R125	B1	R181	D1
C147	E2	R126	B2	R182	D1
C148	A3	R127	E1	R183	D1
C149	A3	R128	E1	R184	E1
C150	A4	R129	E2	R185	D2
C151	B3	R130	E2	R187	A4
C152	A2	R131	E2	R188	B4
C153	B4	R132	A2	D10	A1
C154	C3	R133	B2	D11	A2
C155	B3	R134	A3	D12	A1
C156	C4	R135	A3	D13	A2
C157	C3	R136	A3	D14	B1
C158	C3	R137	A3	D15	D2
C159	C4	R138	A4	U11	C1
C160	D3	R139	A4	U12	D1
C161	D3	R140	A4	U13	E1
C162	D4	R141	B3	U14	A3
C163	E3	R142	B3	U15	B3
C164	D3	R143	A3	U16	D3
C165	E4	R144	B3	Q14	A1
C166	E3	R145	B3	Q15	A2
C167	E3	R146	B4	Q16	B1
C168	E3	R147	B4	Q17	A4
CE33	A1	R148	B3	Q18	B4
CE34	A1	R149	B3	Q19	C4
CE35	C1	R150	B3	Q20	C4
CE36	C2	R151	B3	Q21	D4
CE37	D2	R152	C4	Q22	E4
CE38	D2	R153	B4		
CE39	D2	R154	B4		
CE41	E1	R154	C4		
CE42	E2	R155	C3		
CE43	A3	R156	C3		
CE44	A3	R157	C3		
CE45	B3	R158	C3		
CE46	B3	R159	C4		
CE47	B3	R160	C4		
CE48	C3	R161	C4		
CE49	C3	R162	D3		
CE50	C3	R163	D3		
CE51	D3	R164	D3		

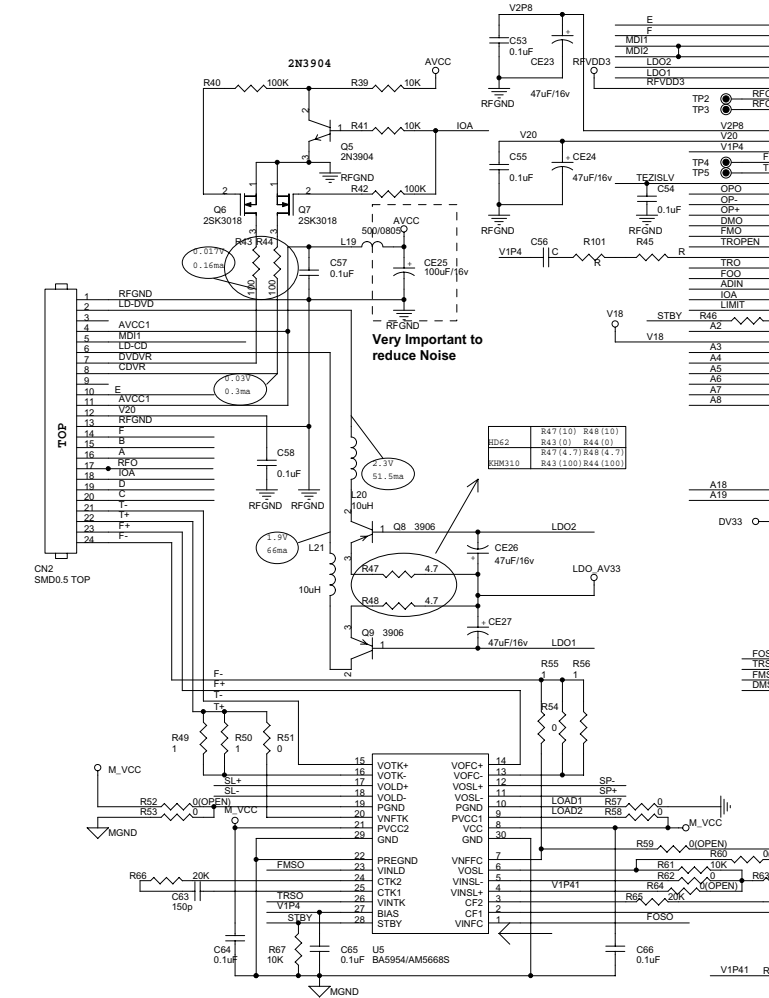


Main Board: MPEG & SERVO for DVP3015K/3020(K)/3026(K)/3028

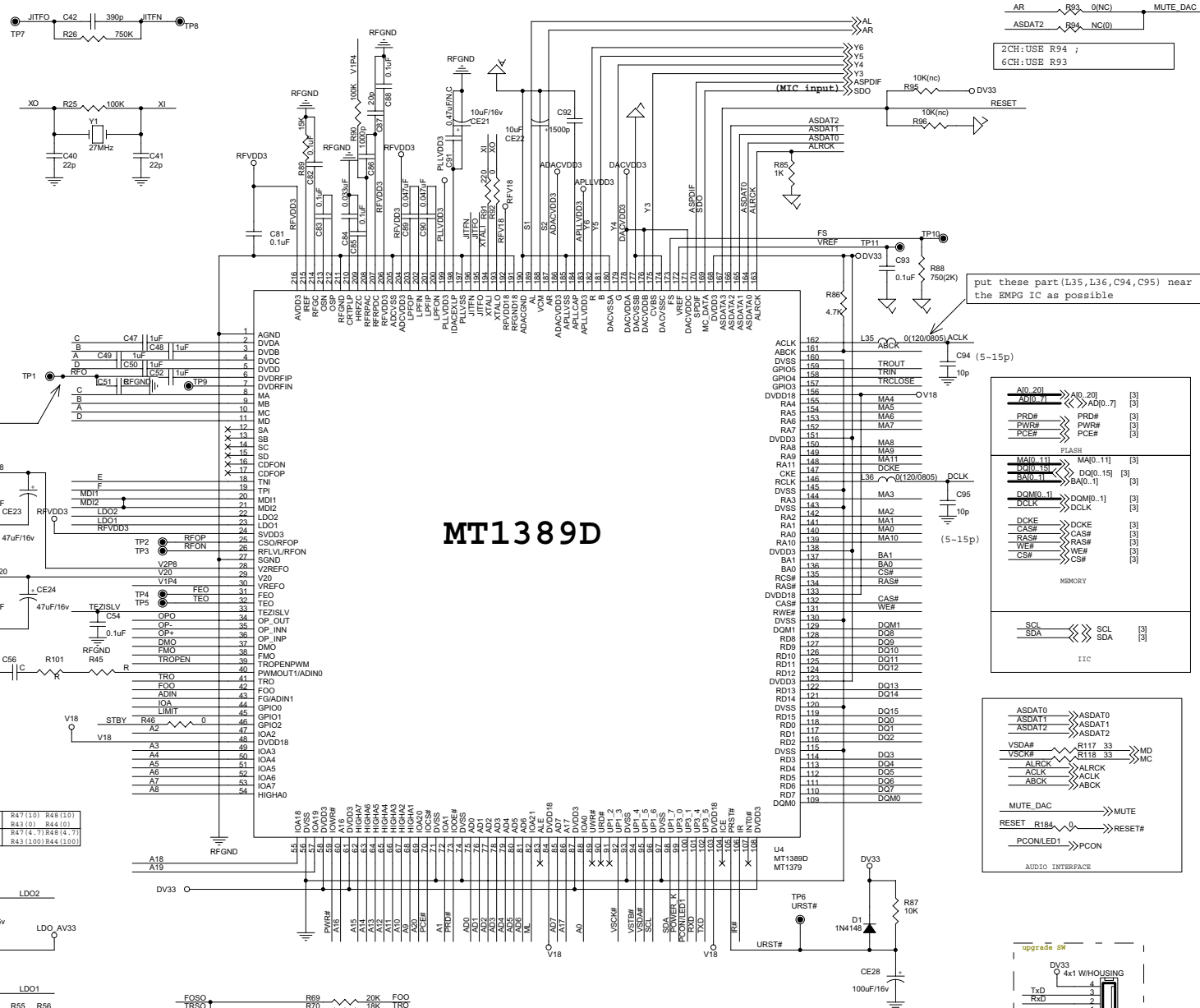


HD-62	R35, R36
KHM31.3	CN4 (1-4)
	R34, R37
	CN4 (1-6)

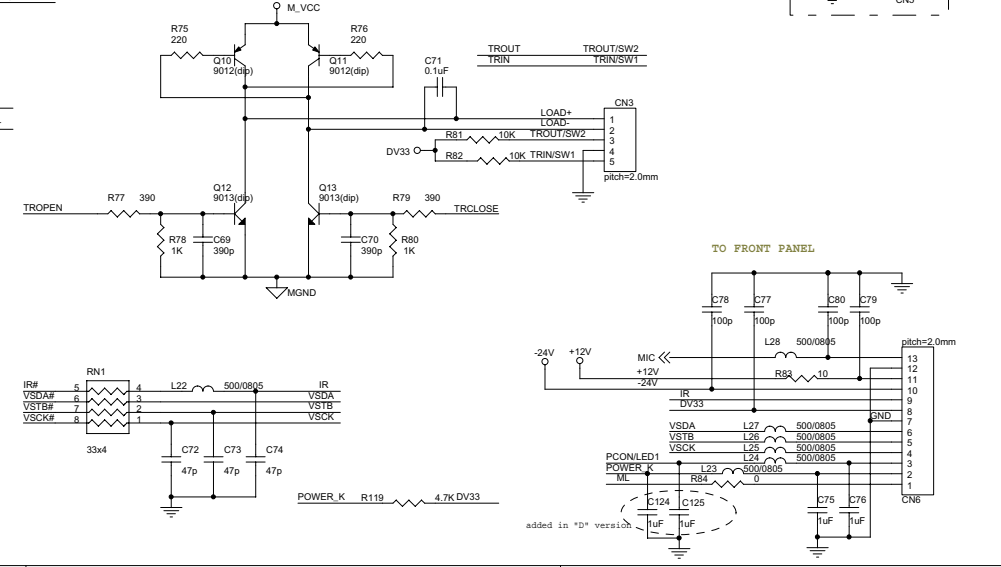
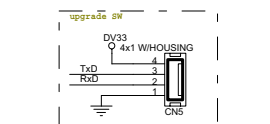
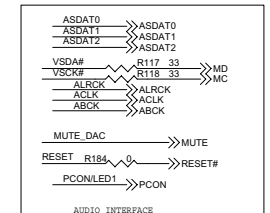
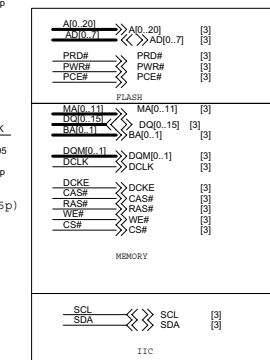
HD-62	C51 (1.20pF)
KHM31.3	C52 (1uF)



	Open	Stuff
AM5668S	R51, R54, R53, R66, R68, R58, R62, R65, R61, R57, R75, R76, R77, R79, R78, R80, R81, R82, C63, C67, C69, C70, Q10, Q11, Q12, Q13	R52, R59, R64, R60, R63 (0) R73, R74, R69 (27K), R70 (22K) R72 (20K)
BA5954	R52, R59, R64, R60 R73, R74	R51, R54, R53, R63 (20K) R66, R68, R58, R62, R65, R61, R57, R69 (20K) R75, R76, R77, R79, R78, R80, R81, R82, C63, C67, C69, C70, Q10, Q11, Q12, Q13, R70 (18k)

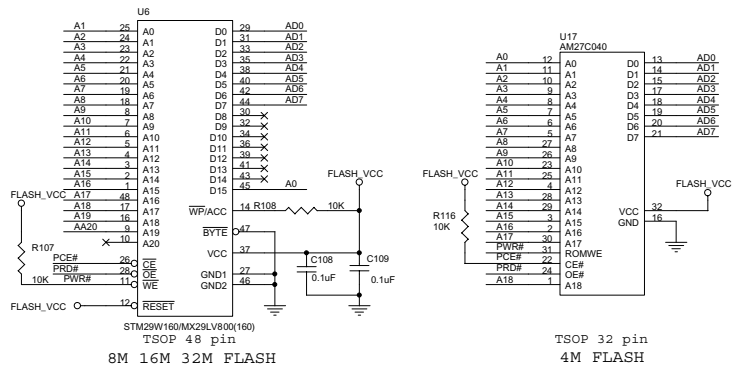
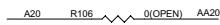
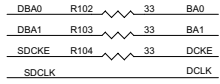
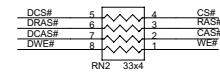
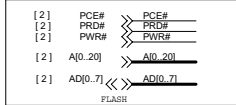
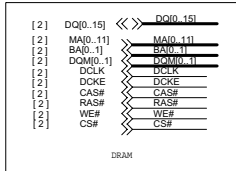


MT1389D



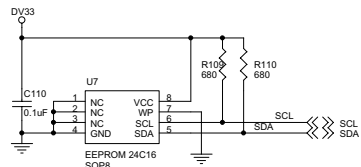
C40	A2	CE24	C2	R72	D2
C41	A2	CE25	C1	R73	D2
C42	A2	CE26	D2	R74	D2
C43	A1	CE27	D2	R75	D3
C44	A1	CE28	D4	R76	D3
C45	A1	CN2	C1	R77	E3
C46	A1	CN3	D4	R78	E3
C47	B2	CN4	A1	R79	E3
C48	B2	CN5	D4	R80	E3
C49	B2	CN6	E4	R81	D3
C50	B2	U4	B3	R82	D3
C51	B2	U5	D1	R83	E4
C52	B2	Y1	A2	R84	E4
C53	B2	D1	D4	R85	A3
C54	C2	R25	A2	R86	B4
C55	C2	R26	A2	R87	D4
C56	C2	R27	A1	R88	A4
C57	C1	R28	A1	R89	A2
C58	C1	R29	A1	R90	A2
C59	D2	R30	A1	R91	A3
C60	D2	R31	A1	R92	A3
C61	D2	R32	A1	R93	A4
C62	D2	R33	A1	R94	A4
C63	E1	R34	A1	R95	A4
C64	E1	R35	A1	R96	A4
C65	E1	R36	B1	R117	C4
C66	E2	R37	B1	R118	C4
C67	E2	R38	B1	R119	E3
C69	E3	R39	B1	Q5	B1
C70	E3	R40	B1	Q6	C1
C71	D3	R41	B1	Q7	C1
C72	E3	R42	C1	Q8	D1
C73	E3	R43	C1	Q9	D1
C74	E3	R44	C1	Q10	D3
C75	E4	R45	C2	Q11	D3
C76	E4	R46	C2	Q12	E3
C77	E4	R47	D1	Q13	E3
C78	E4	R48	D1	L19	C1
C79	E4	R49	D1	L20	C1
C80	E4	R50	D1	L21	D1
C81	A2	R51	D1	L22	E3
C82	A2	R52	D1	L23	E4
C83	A2	R53	D1	L24	E4
C84	A2	R54	D2	L25	E4
C85	A2	R55	D2	L26	E4
C86	A2	R56	D2	L27	E4
C87	A2	R57	D2	L28	E4
C88	A2	R58	D2	L35	B4
C89	A3	R59	D2	L36	B4
C90	A3	R60	D2		
C91	A3	R61	D2		
C92	A3	R62	D2		
C93	A4	R63	D2		
C94	B4	R64	E2		
C95	B4	R65	E2		
C124	E4	R66	D1		
C125	E4	R67	E1		
CE20	A1	R68	E2		
CE21	A3	R69	D2		
CE22	A3	R70	D2		
CE23	B2	R71	D2		

Main Board : SDRAM,FLASH,VIDEO for DVP3015K / 3020(K)/3026(K)/3028

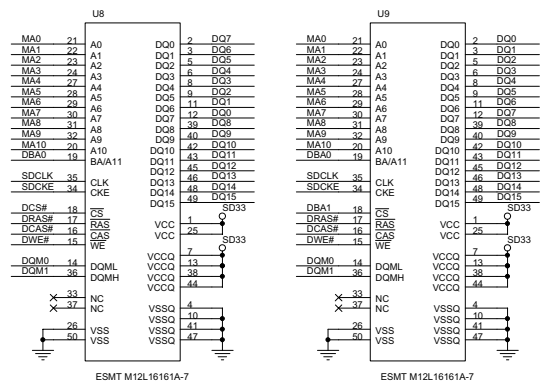


8M 16M 32M FLASH

4M FLASH

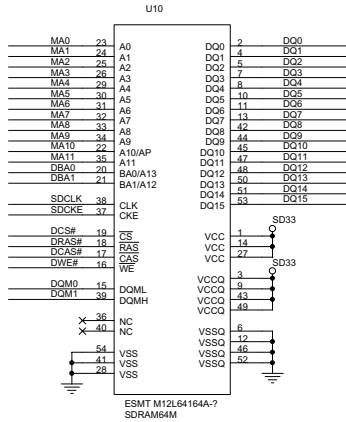


EEPROM 24C16 SOP8

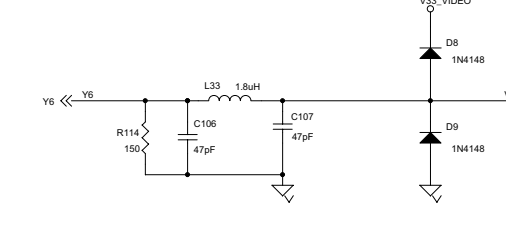
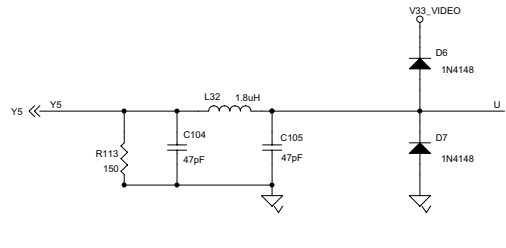
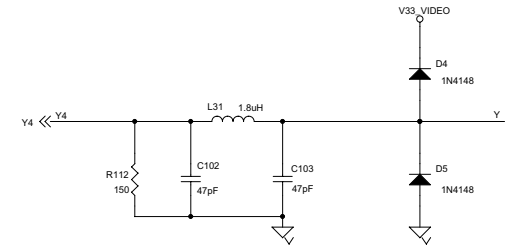
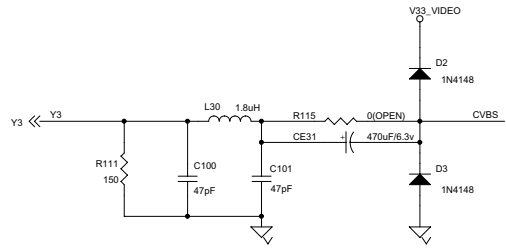
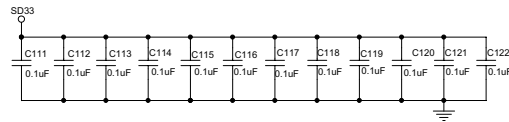


ESMT M12L16161A-7

ESMT M12L16161A-7



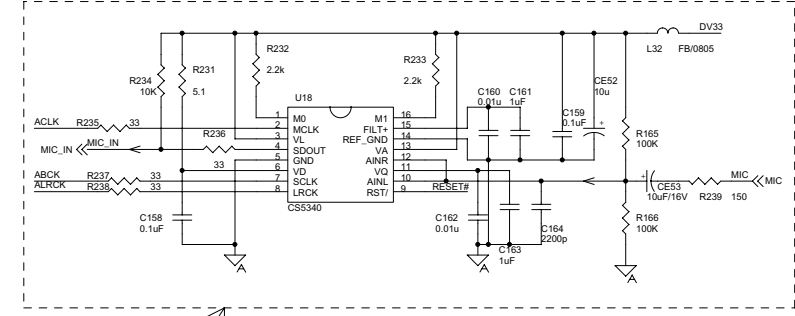
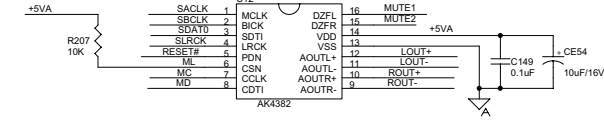
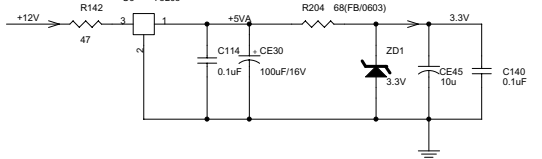
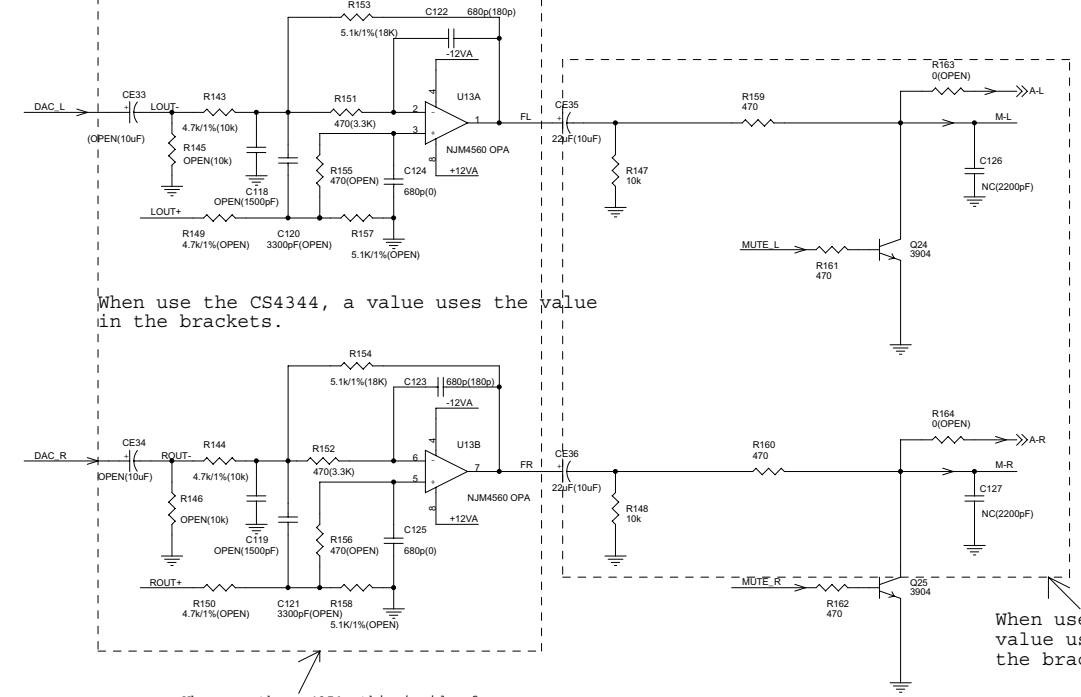
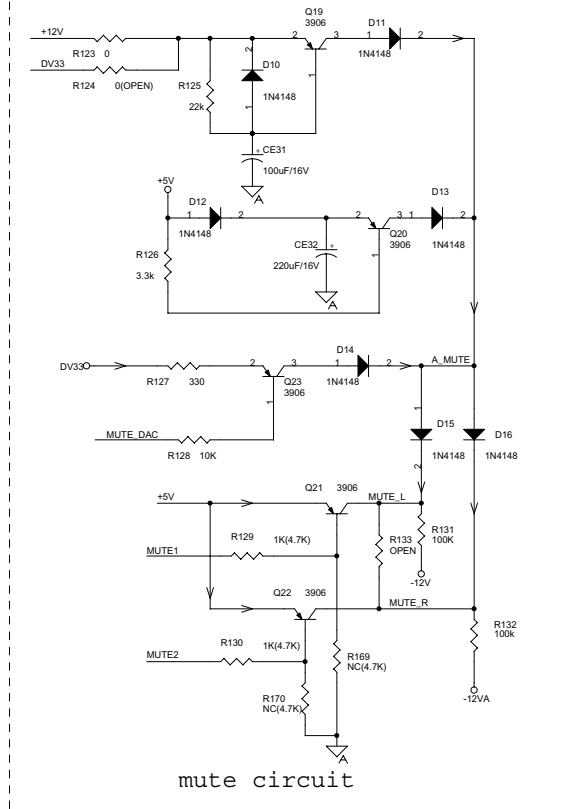
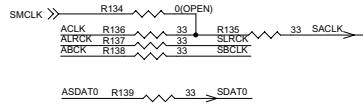
ESMT M12L64164A-7 SDRAM4M



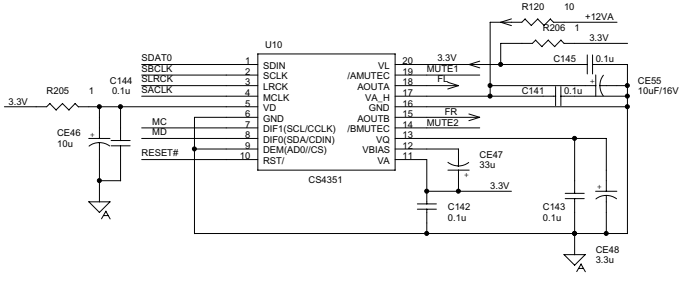
- C100 A3
- C101 A4
- C102 B3
- C103 B4
- C104 C3
- C105 C4
- C106 C3
- C107 C4
- C108 C1
- C109 C1
- C110 C2
- C111 E1
- C112 E1
- C113 E1
- C114 E1
- C115 E1
- C116 E1
- C117 E1
- C118 E1
- C119 E2
- C120 E2
- C121 E2
- C122 E2
- CE31 A4
- R102 A2
- R103 A2
- R104 A2
- R106 B2
- R107 C1
- R108 C1
- R109 C3
- R110 C3
- R111 A3
- R112 B3
- R113 C3
- R114 C3
- R115 A4
- R116 C2
- D2 A4
- D3 A4
- D4 B4
- D5 B4
- D6 B4
- D7 C4
- D8 C4
- D9 C4
- U6 B1
- U7 C2
- U8 D1
- U9 D2
- U10 D2
- U17 B2
- CN7 D4

Main Board: AUDIO FILTER & OUT PUT for 3040(K) / 3042

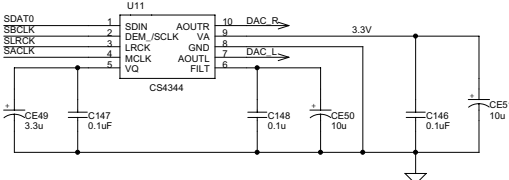
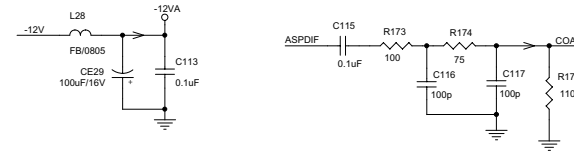
- [2] MD >> MD
- [2] ML >> ML
- [2] MC >> MC
- [1] -12V >> -12V
- [1] +12V >> +12V
- [1] DV33 >> DV33
- [1] +5V >> +5V
- [1,2,3,5] GND >> GND
- [2] ASDATO >> ASDATO
- [2] ASPDIF >> ASPDIF
- [2] ACLK >> ACLK
- [2] ABCK >> ABCK
- [2] ALRCK >> ALRCK
- [2] MUTE\_DAC >> MUTE\_DAC
- [2] RESET# >> RESET#
- [4] A-L >> A-L
- [4] A-R >> A-R

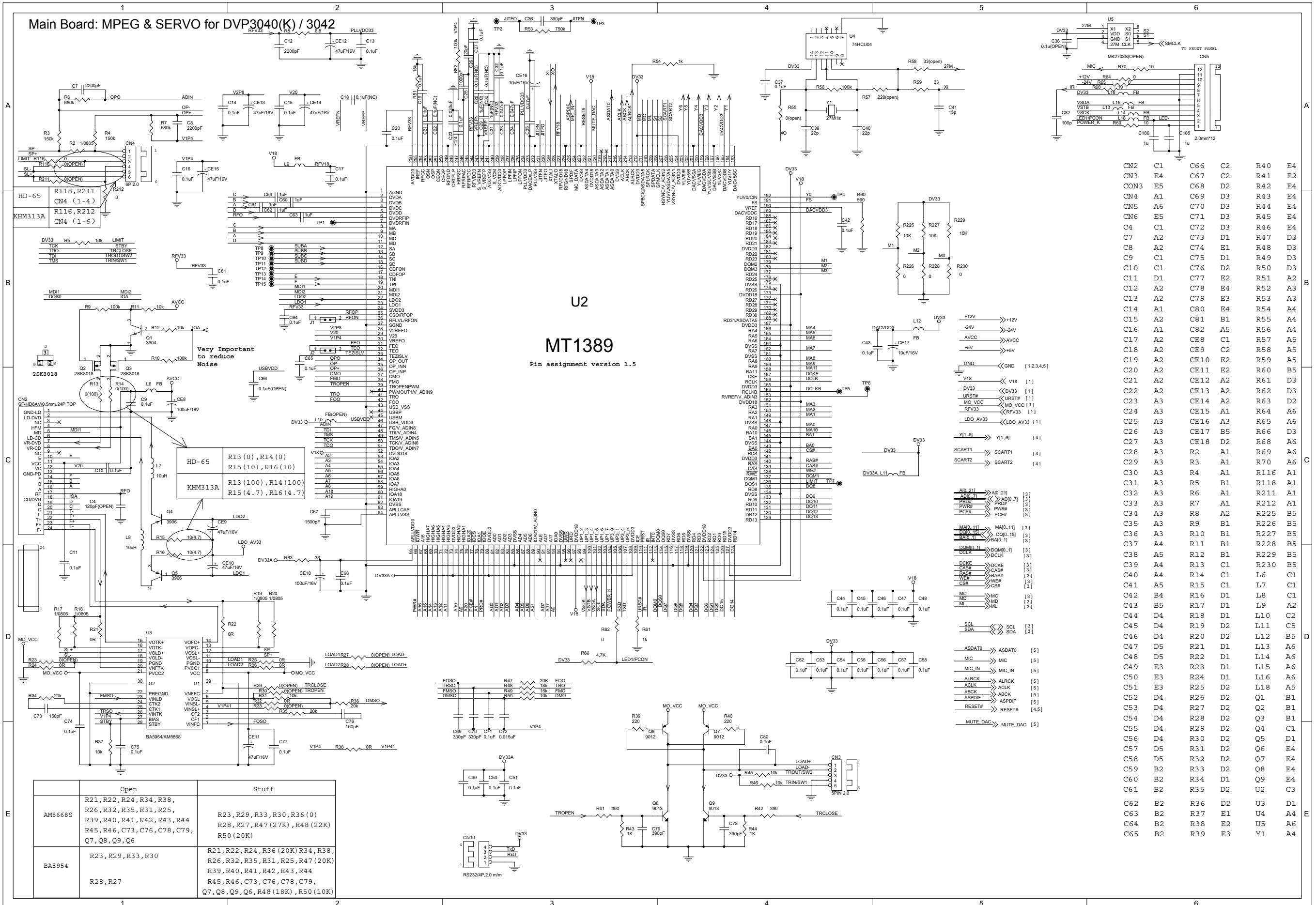


R136	C1	C114	D1	CE49	E2
R137	C1	C115	E1	CE50	E3
R138	C1	C116	E2	CE51	E3
R139	C1	C117	E2	CE52	C5
R142	C1	C118	A4	CE53	C5
R143	A4	C119	B4	CE54	C5
R144	B4	C120	A4	CE55	D3
R145	A4	C121	B4	Q19	A3
R146	B4	C122	A4	Q20	A3
R147	A5	C123	B4	Q21	B3
R148	B5	C124	A4	Q22	B3
R149	A4	C125	B4	Q23	B3
R150	B4	C126	A6	Q24	A5
R151	A4	C127	B6	Q25	B5
R152	B4	C140	D2	D10	A3
R153	A4	C141	D3	D11	A3
R154	B4	C142	D3	D12	A2
R155	A4	C143	D3	D13	A3
R156	B4	C144	D2	D14	B3
R157	A4	C145	D3	D15	B3
R158	B4	C146	E3	D16	B3
R159	A5	C147	E3	U18	C4
R160	B5	C148	E3	U9	C1
R161	A5	C149	C3	U10	D3
R162	B5	C158	D4	U11	E3
R163	A6	C159	C5	U12	C3
R164	B6	C160	C5	U13	A4
R165	C5	C161	C5	UN7	D2
R166	D5	C162	C5		
R169	B3	C163	C5		
R170	C3	C164	C5		
R173	E1	L27	D1		
R174	E2	L28	E1		
R175	E2	L30	C1		



When have no karaoke, this inside of circle a piece is "OPEN"



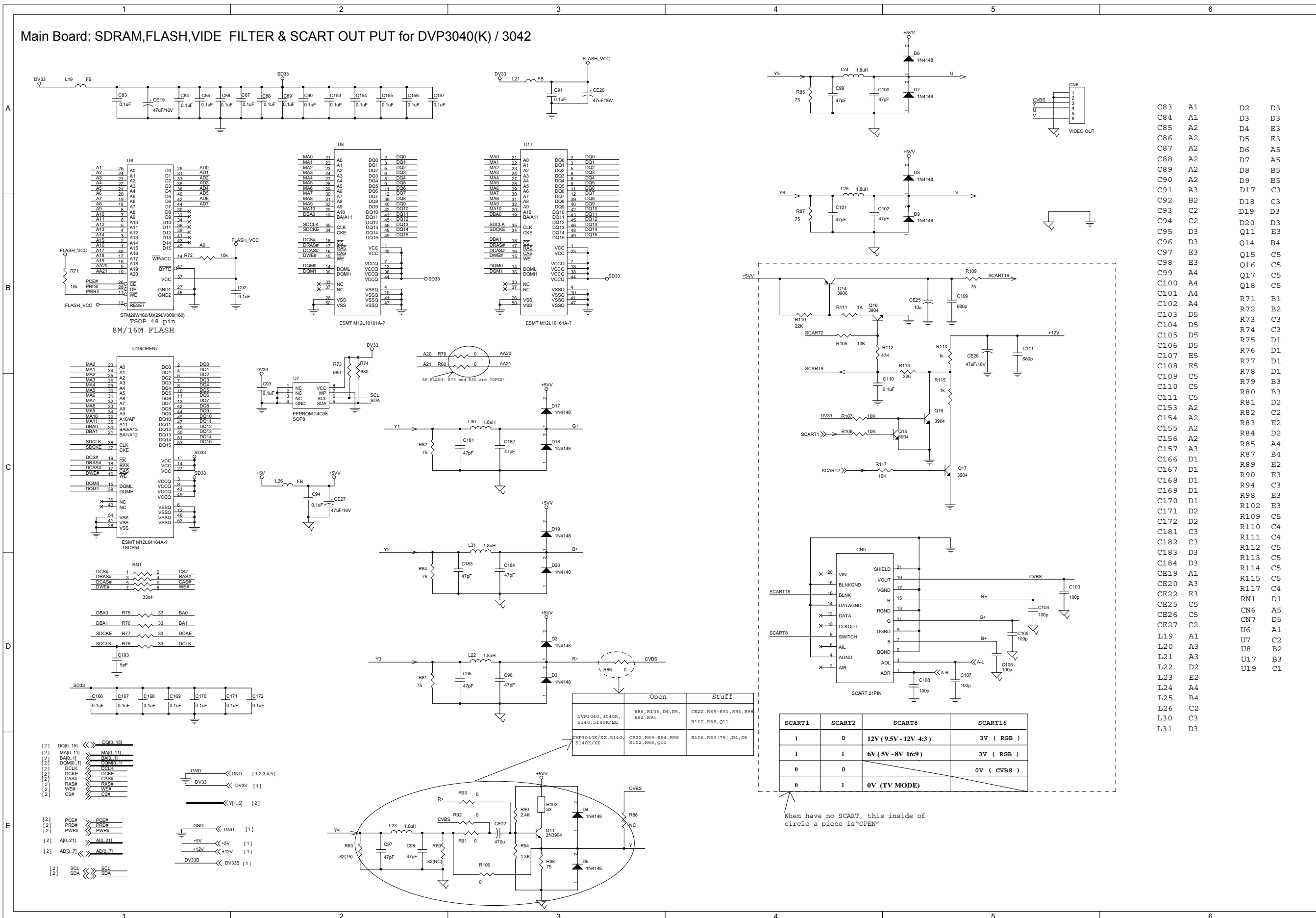


U2  
**MT1389**  
 Pin assignment version 1.5

CN2	C1	C66	C2	R40	E4
CN3	E4	C67	C2	R41	E2
CN4	E5	C68	D2	R42	E4
CN5	A1	C69	D3	R43	E4
CN6	A6	C70	D3	R44	E4
C7	A2	C71	D3	R45	E4
C8	A2	C72	D3	R46	E4
C9	A2	C73	D1	R47	D3
C10	A2	C74	E1	R48	D3
C11	D1	C75	D1	R49	D3
C12	A2	C76	D2	R50	D3
C13	A2	C77	E2	R51	A2
C14	A1	C78	E4	R52	A3
C15	A2	C79	E3	R53	A3
C16	A1	C80	E4	R54	A4
C17	A2	C81	B1	R55	A4
C18	A2	C82	A5	R56	A4
C19	A2	C83	C1	R57	A5
C20	A2	C84	C2	R58	A5
C21	A2	C85	E2	R59	A5
C22	A2	C86	E2	R60	B5
C23	A2	C87	A2	R61	D3
C24	A3	C88	A2	R62	D3
C25	A3	C89	A2	R63	D2
C26	A3	C90	A2	R64	D2
C27	A3	C91	A1	R65	A6
C28	A3	C92	B1	R66	A6
C29	A3	C93	A1	R67	A6
C30	A3	C94	A1	R68	A6
C31	A3	C95	B1	R69	A6
C32	A3	C96	A1	R70	A6
C33	A3	C97	A1	R116	A1
C34	A3	C98	B1	R118	A1
C35	A3	C99	B1	R211	A1
C36	A3	C100	B1	R212	A1
C37	A4	C101	B1	R228	B5
C38	A5	C102	B1	R229	B5
C39	A4	C103	C1	R230	B5
C40	A4	C104	C1	L6	C1
C41	A5	C105	C1	L7	C1
C42	B4	C106	D1	L8	C1
C43	B5	C107	D1	L9	A2
C44	D4	C108	D1	L10	C2
C45	D4	C109	D2	L11	C5
C46	D4	C110	D2	L12	B5
C47	D5	C111	D1	L13	A6
C48	D5	C112	D1	L14	A6
C49	E3	C113	D1	L15	A6
C50	E3	C114	D1	L16	A6
C51	E3	C115	D2	L18	A5
C52	D4	C116	D2	Q1	B1
C53	D4	C117	D2	Q2	B1
C54	D4	C118	D2	Q3	B1
C55	D4	C119	D2	Q4	C1
C56	D4	C120	D2	Q5	D1
C57	D5	C121	D2	Q6	E4
C58	D5	C122	D2	Q7	E4
C59	B2	C123	D2	Q8	E4
C60	B2	C124	D1	Q9	E4
C61	B2	C125	D2	U2	C3
C62	B2	C126	D2	U3	D1
C63	B2	C127	E1	U4	A4
C64	B2	C128	E2	U5	A6
C65	B2	C129	E3	Y1	A4

	Open	Stuff
AM5668S	R21, R22, R24, R34, R38, R26, R32, R35, R31, R25, R39, R40, R41, R42, R43, R44, R45, R46, C73, C76, C78, C79, Q7, Q8, Q9, Q6	R23, R29, R33, R30, R36 (0), R28, R27, R47 (27K), R48 (22K), R50 (20K)
BA5954	R23, R29, R33, R30, R28, R27	R21, R22, R24, R36 (20K), R34, R38, R26, R32, R35, R31, R25, R47 (20K), R39, R40, R41, R42, R43, R44, R45, R46, C73, C76, C78, C79, Q7, Q8, Q9, Q6, R48 (18K), R50 (10K)

Main Board: SDRAM,FLASH,VIDE FILTER & SCART OUT PUT for DVP3040(K) / 3042



C83	A1	D2	D3
C84	A1	D3	D3
C85	A2	D4	E3
C86	A2	D5	E3
C87	A2	D6	A5
C88	A2	D7	A5
C89	A2	D8	B5
C90	A2	D9	B5
C91	A3	D17	C3
C92	B2	D18	C3
C93	C2	D19	D3
C94	C2	D20	D3
C95	D3	Q11	E3
C96	D3	Q14	B4
C97	E3	Q15	C5
C98	E3	Q16	C5
C99	A4	Q17	C5
C100	A4	Q18	C5
C101	A4	R71	B1
C102	A4	R72	B2
C103	D5	R73	C3
C104	D5	R74	C3
C105	D5	R74	C3
C106	D5	R75	D1
C107	E5	R76	D1
C108	E5	R77	D1
C109	C5	R78	D1
C110	C5	R79	B3
C111	C5	R80	B3
C112	A2	R81	D2
C153	A2	R82	C2
C154	A2	R83	E2
C155	A3	R84	D2
C156	A3	R85	A4
C166	D1	R87	B4
C167	D1	R89	E2
C168	D1	R90	E3
C169	D1	R94	C3
C170	D1	R98	C3
C171	D2	R102	E3
C172	D2	R109	C5
C181	C3	R110	C4
C182	C3	R112	C5
C183	D3	R113	C5
C184	D3	R114	C5
C184	D3	R115	C5
C191	A1	R116	C5
C192	A3	R117	C4
C193	C5	RN1	D1
C194	C5	CN6	A5
C195	C5	CN7	D5
C196	C2	U6	A1
C197	C2	U7	C2
C198	C2	U8	B2
C199	D2	U17	B3
C200	D2	U19	C1
C201	A4		
C202	B4		
C203	C2		
C204	C3		
C205	D3		
C206	D3		
C207	D3		
C208	D3		
C209	D3		
C210	D3		
C211	D3		
C212	D3		
C213	D3		
C214	D3		
C215	D3		
C216	D3		
C217	D3		
C218	D3		
C219	D3		
C220	D3		
C221	D3		
C222	D3		
C223	D3		
C224	D3		
C225	D3		
C226	D3		
C227	D3		
C228	D3		
C229	D3		
C230	D3		
C231	D3		
C232	D3		
C233	D3		
C234	D3		
C235	D3		
C236	D3		
C237	D3		
C238	D3		
C239	D3		
C240	D3		
C241	D3		
C242	D3		
C243	D3		
C244	D3		
C245	D3		
C246	D3		
C247	D3		
C248	D3		
C249	D3		
C250	D3		

SCART1	SCART2	SCART8	SCART16
1	0	12V (9.5V - 12V 4:3)	3V ( RGB )
1	1	6V (5V - 8V 16:9)	3V ( RGB )
0	0		0V ( CVBS )
0	1	0V (TV MODE)	

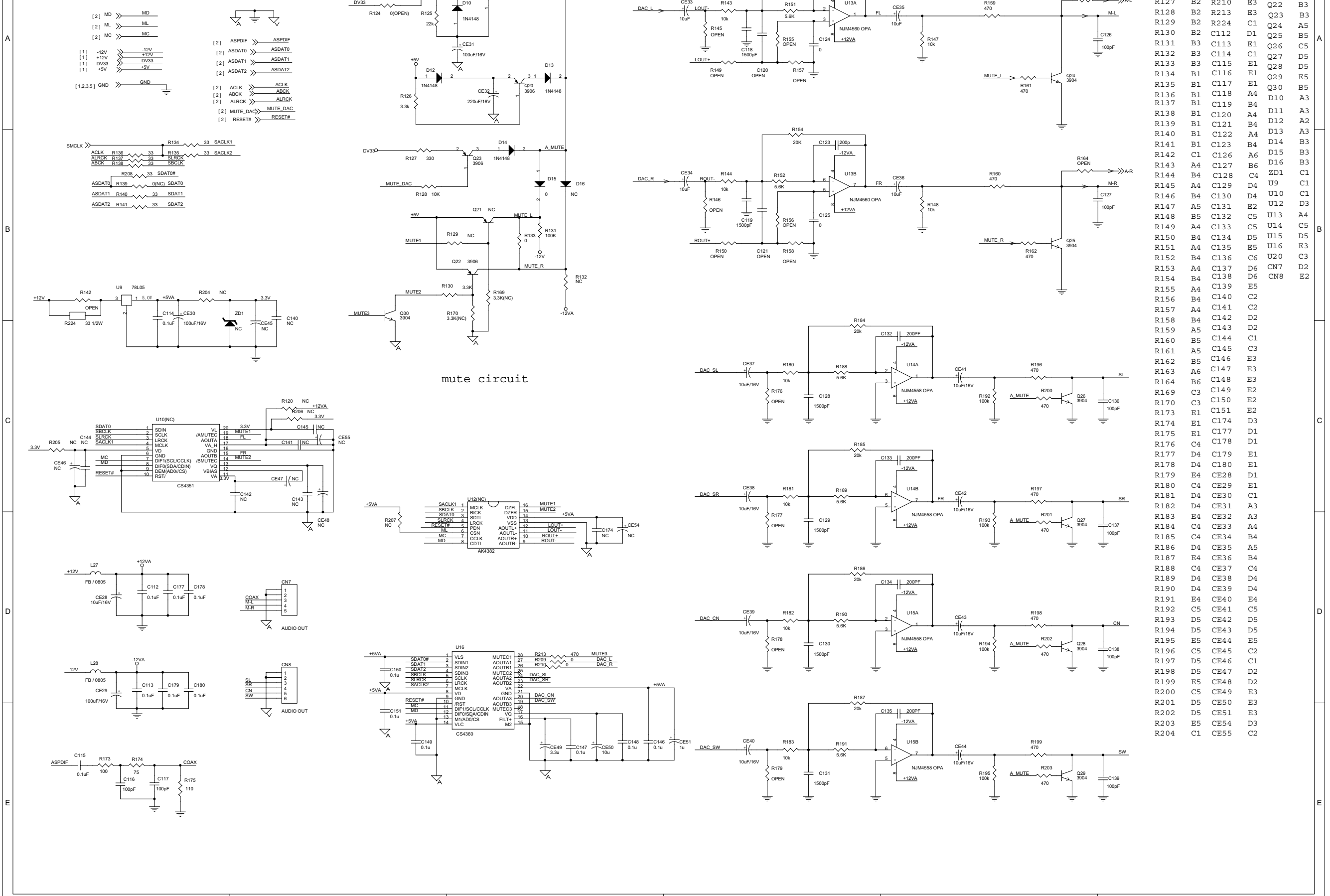
When have no SCART, this inside of circle a piece is "OPEN"

	Open	Stuff
DVP3040, 3040K, 5140, 5140K/Eu	R86, R106, D4, D5, R92, R93	CE22, R89-R91, R94, R98, R102, R88, Q11
DVP3040K/XX, 5140, 5140K/XX		R106, R83 (75), D4, D5

- [2] DQ0..151 <<> DQ0..151
- [2] MA0..11 <<> MA0..11
- [2] BA0..1 <<> BA0..1
- [2] DQM0..1 <<> DQM0..1
- [2] DCLK <<> DCLK
- [2] DCKE <<> DCKE
- [2] CAS# <<> CAS#
- [2] RAS# <<> RAS#
- [2] WE# <<> WE#
- [2] CS# <<> CS#
- [2] GND <<> GND [1,2,3,4,5]
- [2] DV33 <<> DV33 [1]
- [2] Y[1..6] <<> [2]
- [2] GND <<> GND [1]
- [2] +5V <<> +5V [1]
- [2] +12V <<> +12V [1]
- [2] DV33B <<> DV33B [1]
- [2] SCL <<> SCL
- [2] SDA <<> SDA

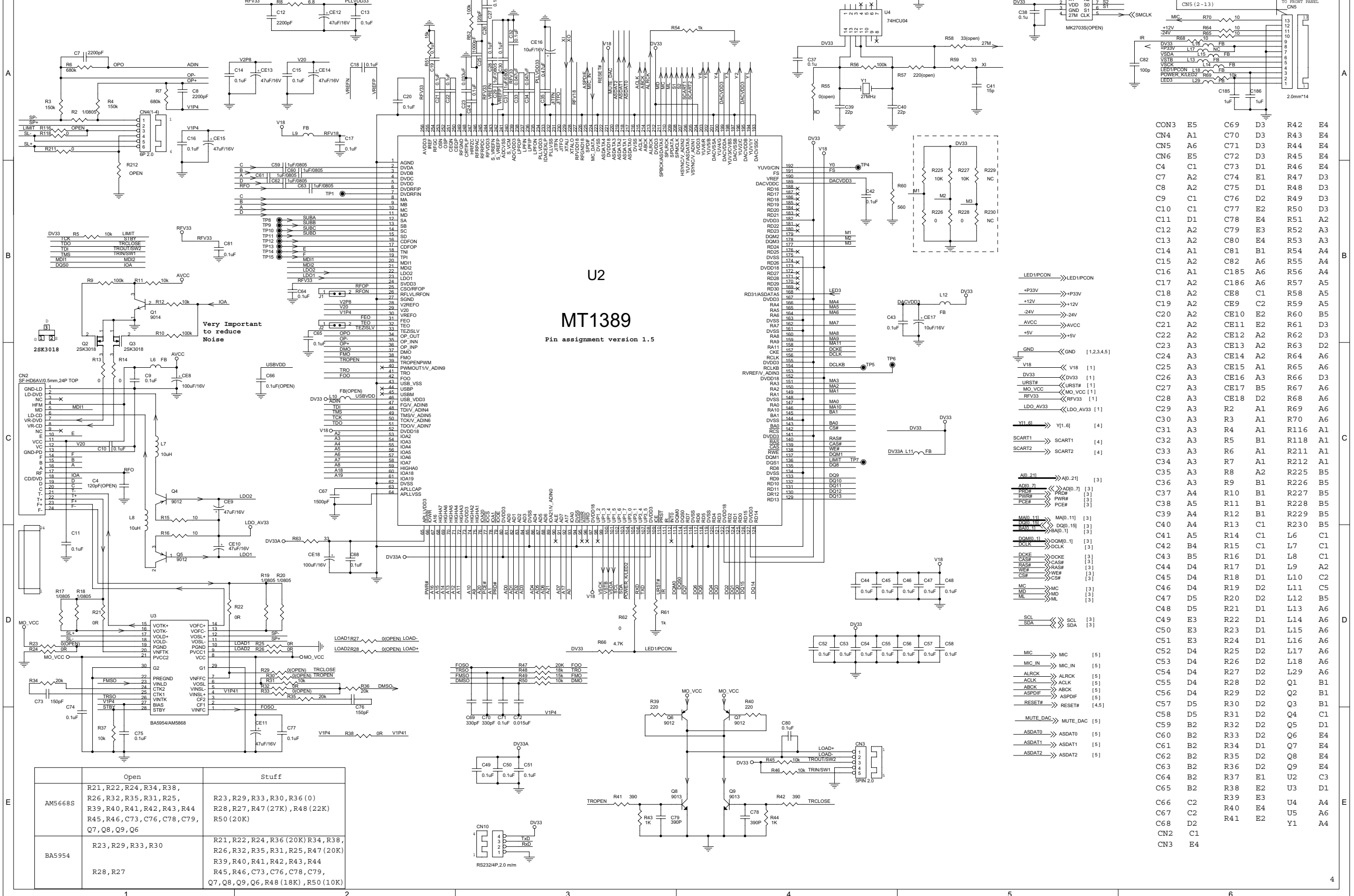


### Main Board: AUDIO FILTER & OUT PUT for DVP3046/94 DVP3040K/93



R120	C3	R205	C1	L27	D1
R123	A2	R206	C2	L28	E1
R124	A2	R207	D2	Q19	A3
R125	A2	R208	B1	Q20	A3
R126	A2	R209	E3	Q21	B3
R127	B2	R210	E3	Q22	B3
R128	B2	R213	E3	Q23	B3
R129	B2	R224	C1	Q24	A5
R130	B2	C112	D1	Q25	B5
R131	B3	C113	E1	Q26	C5
R132	B3	C114	C1	Q27	D5
R133	B3	C115	E1	Q28	D5
R134	B1	C116	E1	Q29	E5
R135	B1	C117	E1	Q30	B5
R136	B1	C118	A4	D10	A3
R137	B1	C119	B4	D11	A2
R138	B1	C120	A4	D12	A2
R139	B1	C121	B4	D13	A2
R140	B1	C122	A4	D13	A3
R141	B1	C123	B4	D14	B3
R142	C1	C126	A6	D15	B3
R143	A4	C127	B6	D16	B3
R144	B4	C128	C4	ZD1	C1
R145	A4	C129	D4	U9	C1
R146	B4	C130	D4	U10	C1
R147	A5	C131	E2	U11	D3
R148	B5	C132	C5	U13	A4
R149	A4	C133	C5	U14	C5
R150	B4	C134	D5	U15	D5
R151	A4	C135	E5	U16	C3
R152	B4	C136	C6	U20	C3
R153	A4	C137	D6	CN7	D2
R154	B4	C138	D6	CN8	E2
R155	A4	C139	E5		
R156	B4	C140	C2		
R157	A4	C141	C2		
R158	B4	C142	D2		
R159	A5	C143	D2		
R160	B5	C144	C1		
R161	A5	C145	C3		
R162	B5	C146	E3		
R163	A6	C147	E3		
R164	B6	C148	E3		
R169	C3	C149	E2		
R170	C3	C150	E2		
R173	E1	C151	E2		
R174	E1	C174	D3		
R175	E1	C177	D1		
R176	C4	C178	D1		
R177	D4	C179	E1		
R178	D4	C180	E1		
R179	E4	CE28	D1		
R180	C4	CE29	E1		
R181	D4	CE30	C1		
R182	D4	CE31	A3		
R183	E4	CE32	A3		
R184	C4	CE33	A4		
R185	C4	CE34	B4		
R186	D4	CE35	A5		
R187	E4	CE36	B4		
R188	C4	CE37	C4		
R189	D4	CE38	D4		
R190	D4	CE39	D4		
R191	E4	CE40	E4		
R192	C5	CE41	C5		
R193	D5	CE42	D5		
R194	D5	CE43	D5		
R195	E5	CE44	E5		
R196	C5	CE45	C2		
R197	D5	CE46	C1		
R198	D5	CE47	D2		
R199	E5	CE48	D2		
R200	C5	CE49	E3		
R201	D5	CE50	E3		
R202	D5	CE51	E3		
R203	E5	CE54	D3		
R204	C1	CE55	C2		

### Main Board: MPEG & SERVO for DVP3046/94 DVP3040K/93

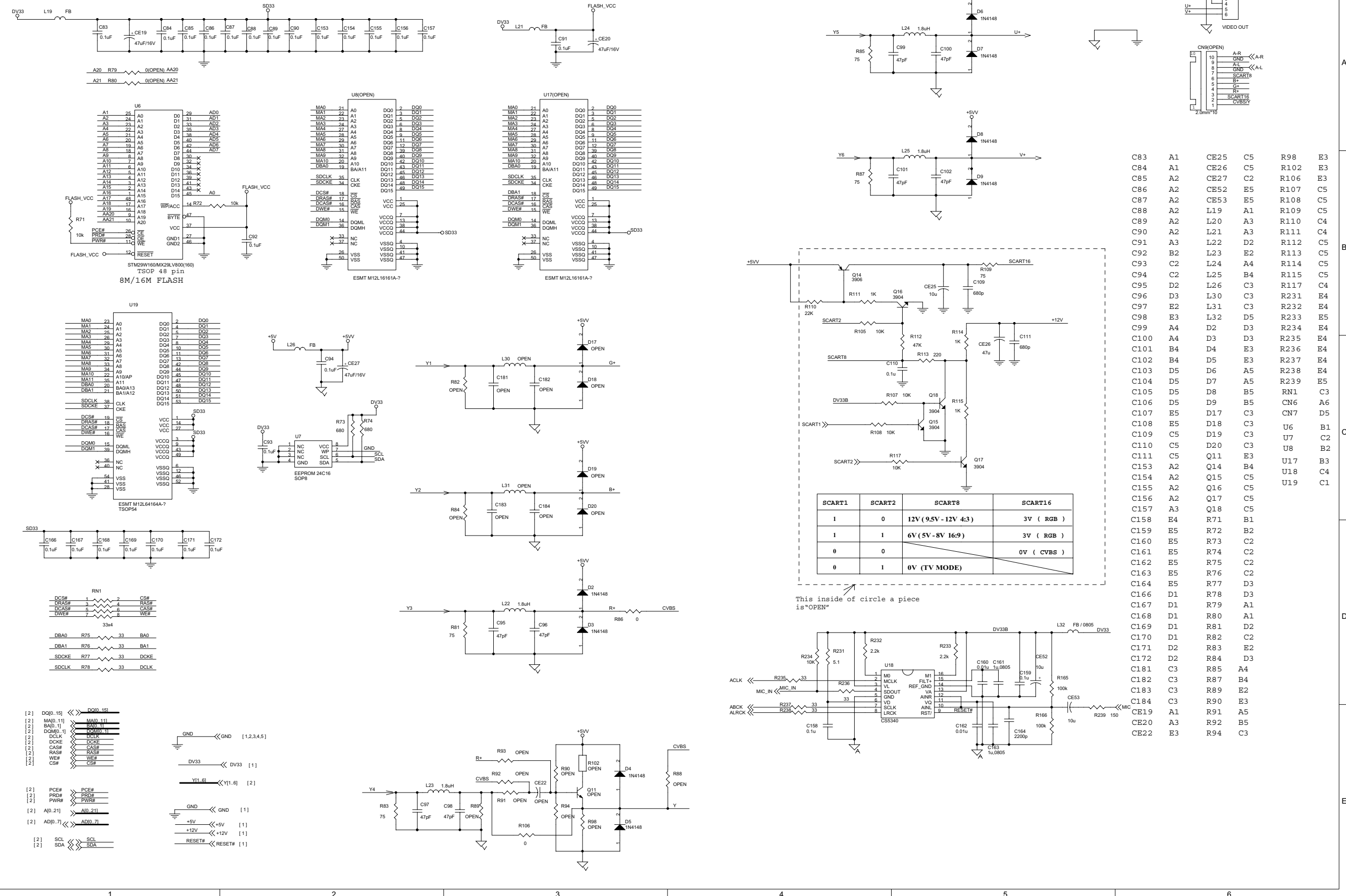


**U2**  
**MT1389**  
Pin assignment version 1.5

CON3	E5	C69	D3	R42	E4
CN4	A1	C70	D3	R43	E4
CN5	A6	C71	D3	R44	E4
CN6	E5	C72	D3	R45	E4
C4	C1	C73	D1	R46	E4
C7	A2	C74	E1	R47	D3
C8	A2	C75	D1	R48	D3
C9	C1	C76	D2	R49	D3
C10	C1	C77	E2	R50	D3
C11	D1	C78	E4	R51	A2
C12	A2	C79	E3	R52	A3
C13	A2	C80	E4	R53	A3
C14	A1	C81	B1	R54	A4
C15	A2	C82	A6	R55	A4
C16	A1	C185	A6	R56	A4
C17	A2	C186	A6	R57	A5
C18	A2	C88	C1	R58	A5
C19	A2	C89	C2	R59	A5
C20	A2	C910	E2	R60	B5
C21	A2	C811	E2	R61	D3
C22	A2	C812	A2	R62	D3
C23	A3	C813	A2	R63	D2
C24	A3	C814	A2	R64	A6
C25	A3	C815	A1	R65	A6
C26	A3	C816	A3	R66	D3
C27	A3	C817	B5	R67	A6
C28	A3	C818	D2	R68	A6
C29	A3	R2	A1	R69	A6
C30	A3	R3	A1	R70	A6
C31	A3	R4	A1	R116	A1
C32	A3	R5	B1	R118	A1
C33	A3	R6	A1	R211	A1
C34	A3	R7	A1	R212	A1
C35	A3	R8	A2	R225	B5
C36	A3	R9	B1	R226	B5
C37	A4	R10	B1	R227	B5
C38	A5	R11	B1	R228	B5
C39	A4	R12	B1	R229	B5
C40	A4	R13	C1	R230	B5
C41	A5	R14	C1	L6	C1
C42	B4	R15	C1	L7	C1
C43	B5	R16	D1	L8	C1
C44	D4	R17	D1	L9	A2
C45	D4	R18	D1	L10	C2
C46	D4	R19	D2	L11	C5
C47	D5	R20	D2	L12	B5
C48	D5	R21	D1	L13	A6
C49	E3	R22	D1	L14	A6
C50	E3	R23	D1	L15	A6
C51	E3	R24	D1	L16	A6
C52	D4	R25	D2	L17	A6
C53	D4	R26	D2	L18	A6
C54	D4	R27	D2	L29	A6
C55	D4	R28	D2	Q1	B1
C56	D4	R29	D2	Q2	B1
C57	D5	R30	D2	Q3	B1
C58	D5	R31	D2	Q4	C1
C59	B2	R32	D2	Q5	D1
C60	B2	R33	D2	Q6	E4
C61	B2	R34	D1	Q7	E4
C62	B2	R35	D2	Q8	E4
C63	B2	R36	D2	Q9	E4
C64	B2	R37	E1	U2	C3
C65	B2	R38	E2	U3	D1
C66	C2	R39	E3	U4	A4
C67	C2	R40	E4	U5	A6
C68	D2	R41	E2	Y1	A4
CN2	C1				
CN3	E4				

	Open	Stuff
AM5668S	R21, R22, R24, R34, R38, R26, R32, R35, R31, R25, R39, R40, R41, R42, R43, R44, R45, R46, C73, C76, C78, C79, Q7, Q8, Q9, Q6	R23, R29, R33, R30, R36 (0) R28, R27, R47 (27K), R48 (22K) R50 (20K)
BA5954	R23, R29, R33, R30 R28, R27	R21, R22, R24, R36 (20K) R34, R38, R26, R32, R35, R31, R25, R47 (20K) R39, R40, R41, R42, R43, R44, R45, R46, C73, C76, C78, C79, Q7, Q8, Q9, Q6, R48 (18K), R50 (10K)

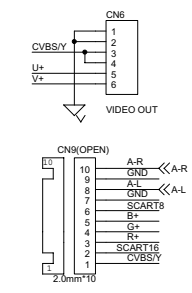
Main Board : SDRAM,FLASH,VIDEO FILTER OUT PUT for DVP3046/94 DVP3040K/93



C83	A1	CE25	C5	R98	E3
C84	A1	CE26	C5	R102	E3
C85	A2	CE27	C2	R106	E3
C86	A2	CE52	E5	R107	C5
C87	A2	CE53	E5	R108	C5
C88	A2	L19	A1	R109	C5
C89	A2	L20	A3	R110	C4
C90	A2	L21	A3	R111	C4
C91	A3	L22	D2	R112	C5
C92	B2	L23	E2	R113	C5
C93	C2	L24	A4	R114	C5
C94	C2	L25	B4	R115	C5
C95	D2	L26	C3	R117	C4
C96	D3	L30	C3	R231	E4
C97	E2	L31	C3	R232	E4
C98	E3	L32	D5	R233	E5
C99	A4	D2	D3	R234	E4
C100	A4	D3	D3	R235	E4
C101	B4	D4	E3	R236	E4
C102	B4	D5	E3	R237	E4
C103	D5	D6	A5	R238	E4
C104	D5	D7	A5	R239	E5
C105	D5	D8	B5	RN1	C3
C106	D5	D9	B5	CN6	A6
C107	E5	D17	C3	CN7	D5
C108	E5	D18	C3	U6	B1
C109	C5	D19	C3	U7	C2
C110	C5	D20	C3	U8	B2
C111	C5	Q11	E3	U17	B3
C153	A2	Q14	B4	U18	C4
C154	A2	Q15	C5	U19	C1
C155	A2	Q16	C5		
C156	A2	Q17	C5		
C157	A3	Q18	C5		
C158	E4	R71	B1		
C159	E5	R72	B2		
C160	E5	R73	C2		
C161	E5	R74	C2		
C162	E5	R75	C2		
C163	E5	R76	C2		
C164	E5	R77	D3		
C166	D1	R78	D3		
C167	D1	R79	A1		
C168	D1	R80	A1		
C169	D1	R81	D2		
C170	D1	R82	C2		
C171	D2	R83	E2		
C172	D2	R84	D3		
C181	C3	R85	A4		
C182	C3	R87	B4		
C183	C3	R89	E2		
C184	C3	R90	E3		
CE19	A1	R91	A5		
CE20	A3	R92	B5		
CE22	E3	R94	C3		

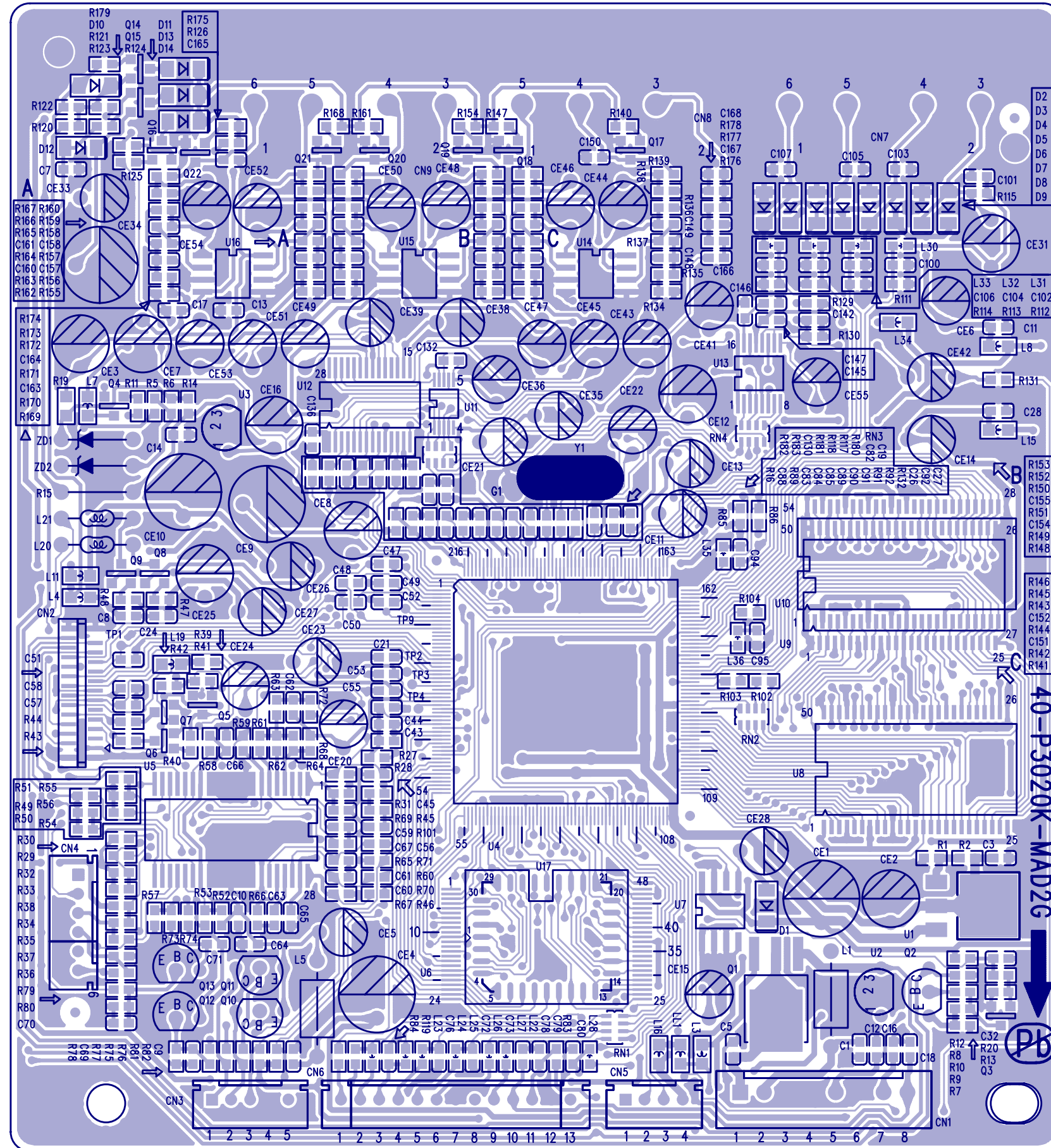
SCART1	SCART2	SCART8	SCART16
1	0	12V (9.5V - 12V 4:3)	3V ( RGB )
1	1	6V (5V - 8V 16:9)	3V ( RGB )
0	0		0V ( CVBS )
0	1		0V ( TV MODE )

This inside of circle a piece is \*OPEN\*

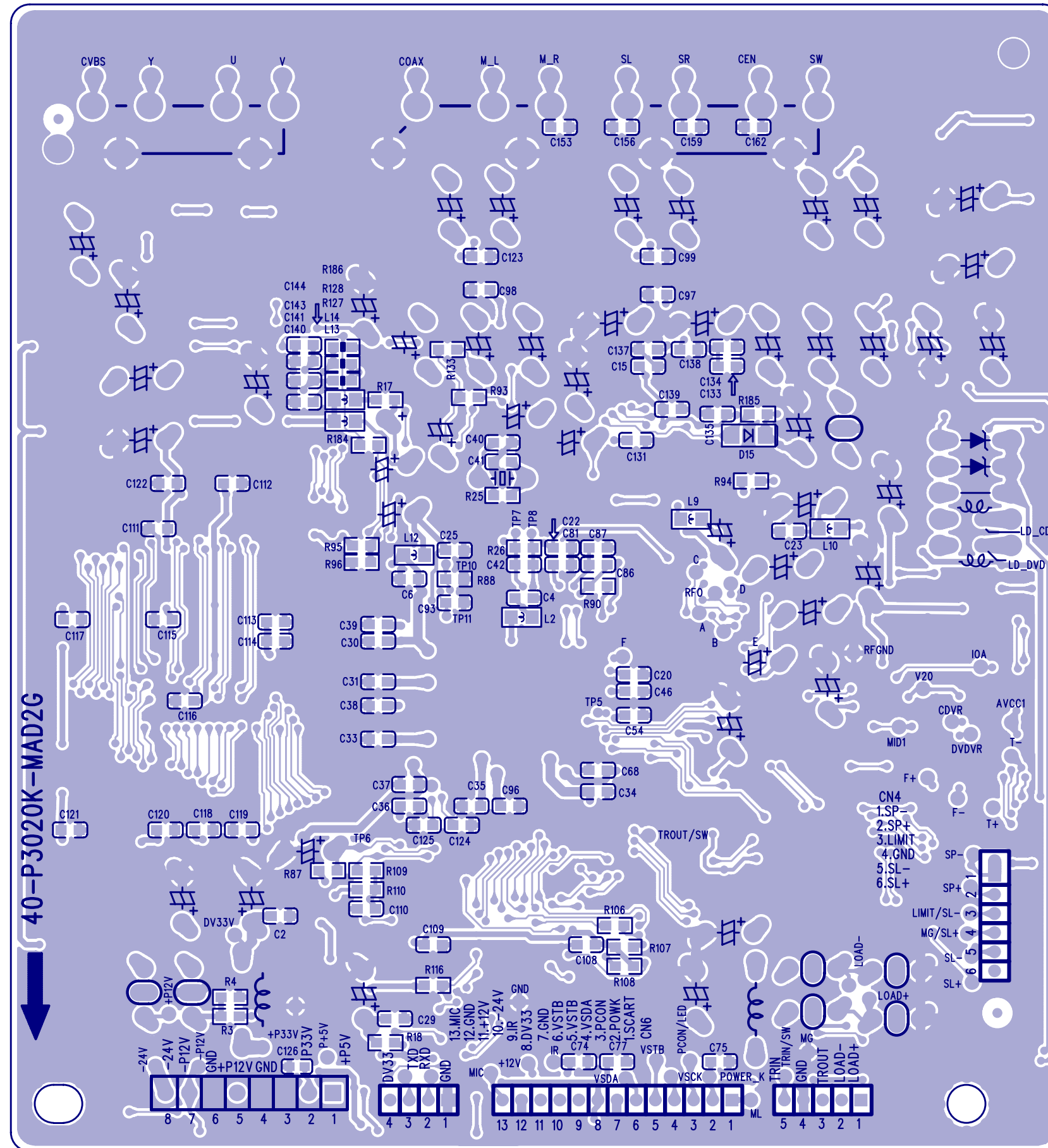


- [2] DQ[0..15] <<> DQ[0..15]
- [2] MA[0..11] <<> MA[0..11]
- [2] BA[0..1] <<> BA[0..1]
- [2] DQMB[0..1] <<> DQMB[0..1]
- [2] DCLK <<> DCLK
- [2] DCKE <<> DCKE
- [2] CAS# <<> CAS#
- [2] RAS# <<> RAS#
- [2] WE# <<> WE#
- [2] CS# <<> CS#
- [2] PCE# <<> PCE#
- [2] PRGM# <<> PRGM#
- [2] PWR# <<> PWR#
- [2] A[0..21] <<> A[0..21]
- [2] AD[0..7] <<> AD[0..7]
- [2] SCL <<> SCL
- [2] SDA <<> SDA
- GND <<> GND [1,2,3,4,5]
- DV33 <<> DV33 [1]
- Y1[6] <<> Y1[6] [2]
- GND <<> GND [1]
- +5V <<> +5V [1]
- +12V <<> +12V [1]
- RESET# <<> RESET# [1]

Main Board Print-layout (Top Side) for DVP3015K,DVP3020(K) ,DVP3026(K),DVP3028,DVP3040(K),DVP3042,DVP3046



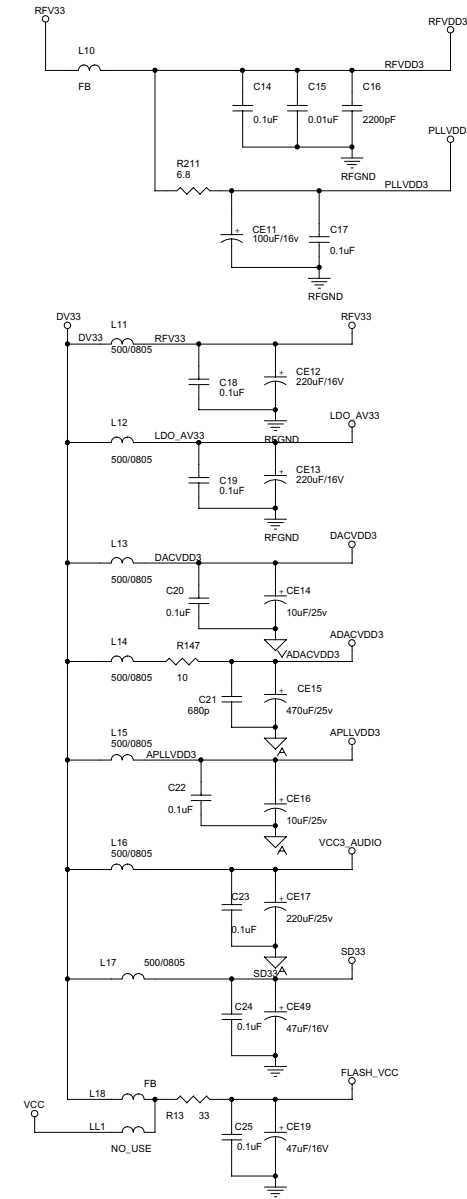
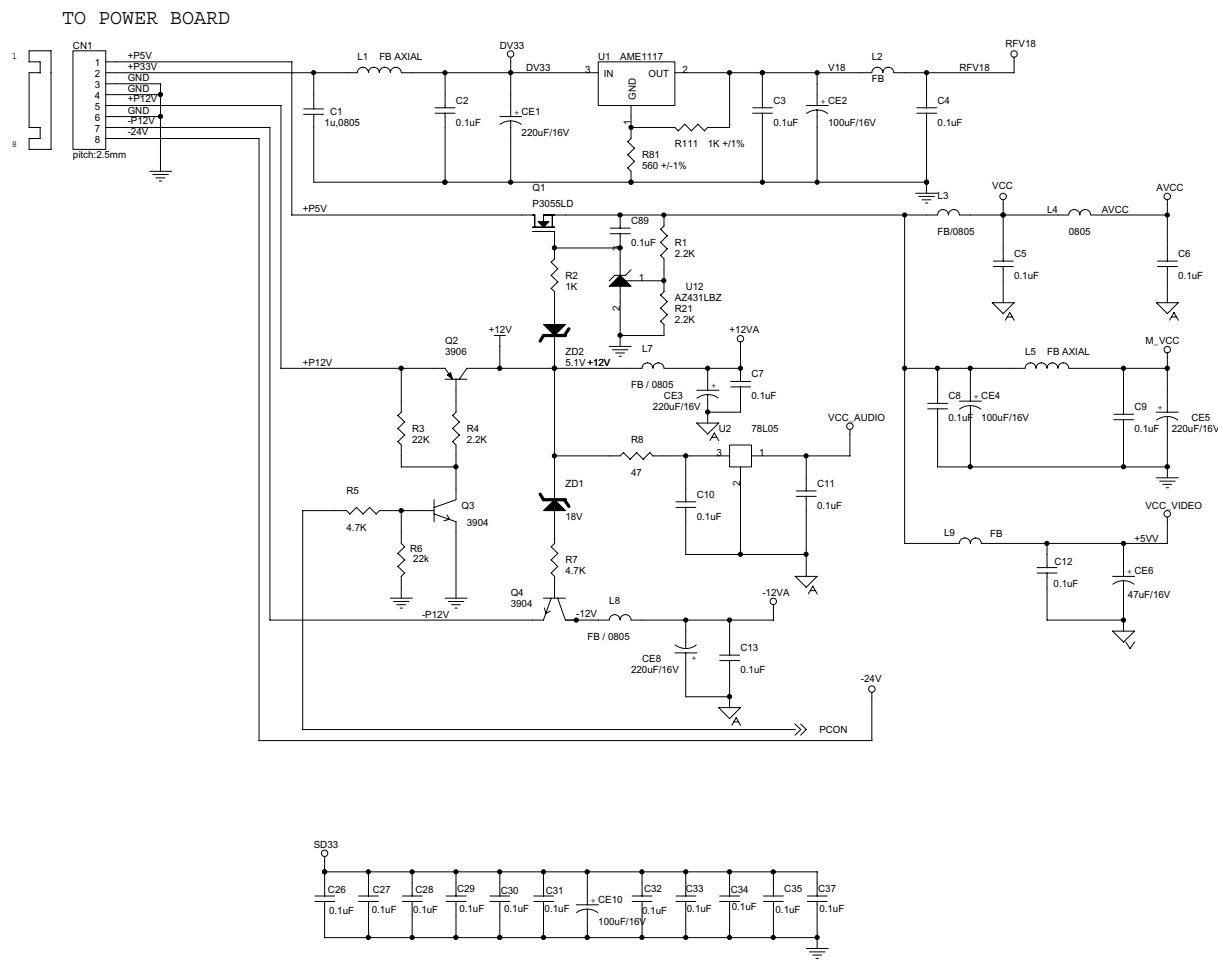
Main Board Print-layout (Bottom Side) for DVP3015K,DVP3020(K) ,DVP3026(K),DVP3028,DVP3040(K),DVP3042,DVP3046



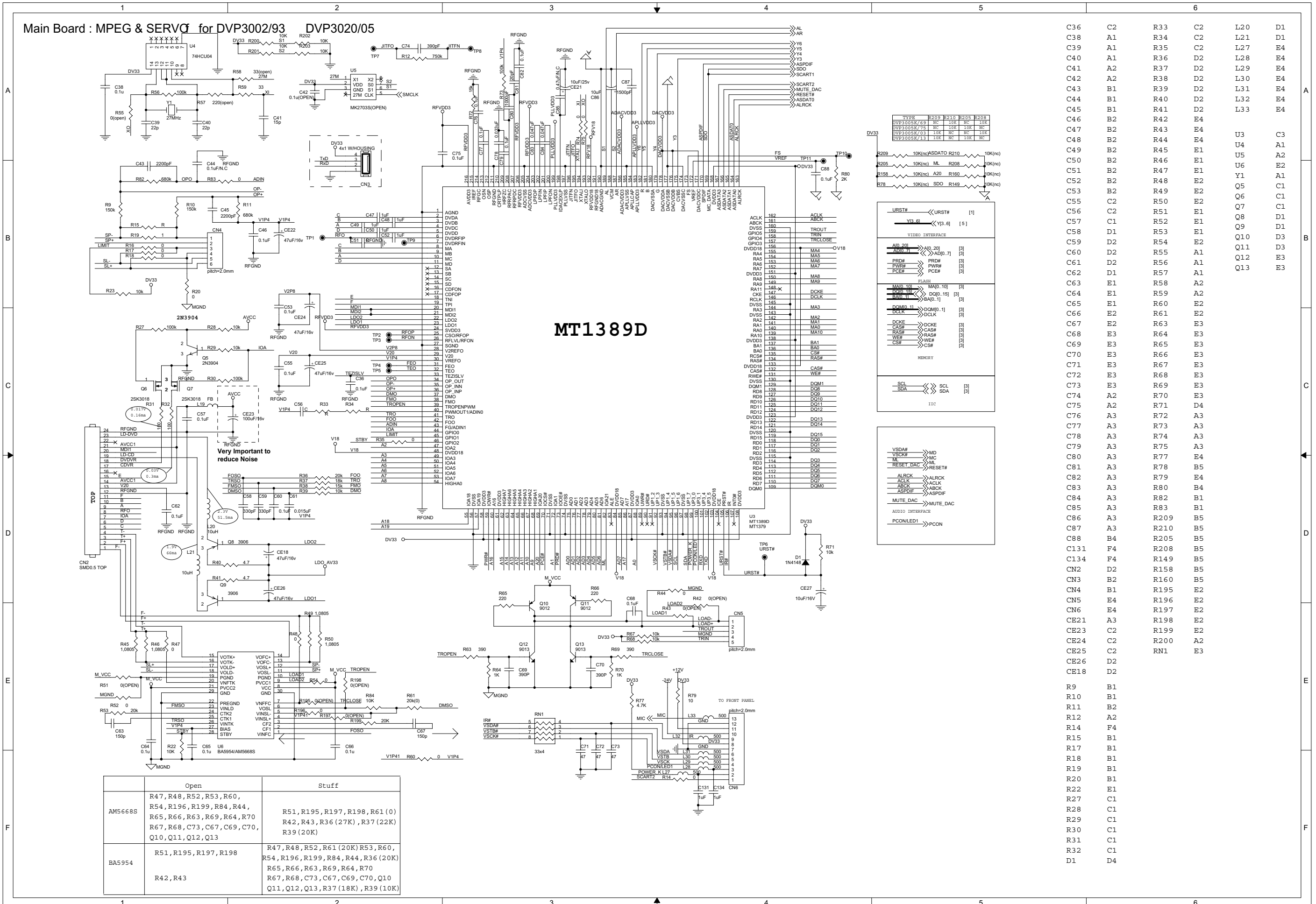
Main Board : INDEX & POWER for DVP3002/93 DVP3020/05

- 1 INDEX & POWER
- 2 RF, SERVO & MPEG - MT1389D
- 3 MEMORY /VIDEO OUT
- 4 AUDIO OUT

NAME	TYPE	DEVICE
VCC	Digital 5V	SUPPLY
DV33	Digital 3.3V	MT1389D
RFV33	Servo 3.3V	MT1389D
LDO_AV33	Laser Diode 3.3V	
AVCC	RF 5V	PICKUP HEADER
V18	Digital 1.8V	MT1389D
SD33	Digital 3.3V	SDRAM
+12V	Audio +12V	OP AMP.
-12V	Audio -12V	OP AMP.
AVDD	Audio 5V	VCC_AUDIO
DVDD	Audio 3V3	VCC3_AUDIO

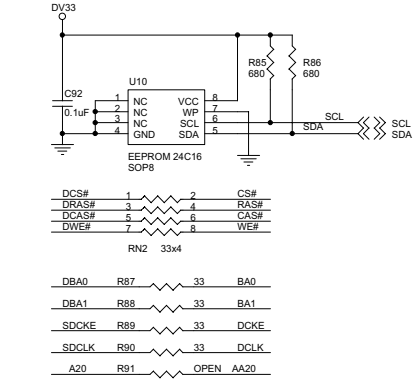
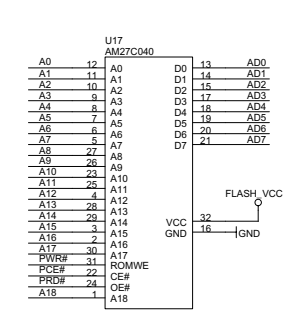
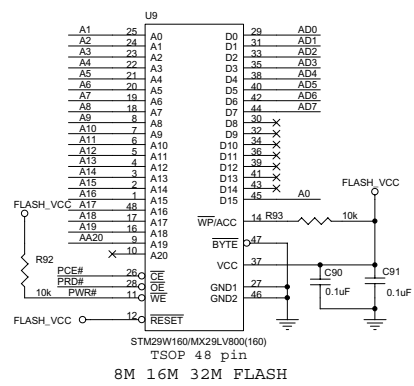
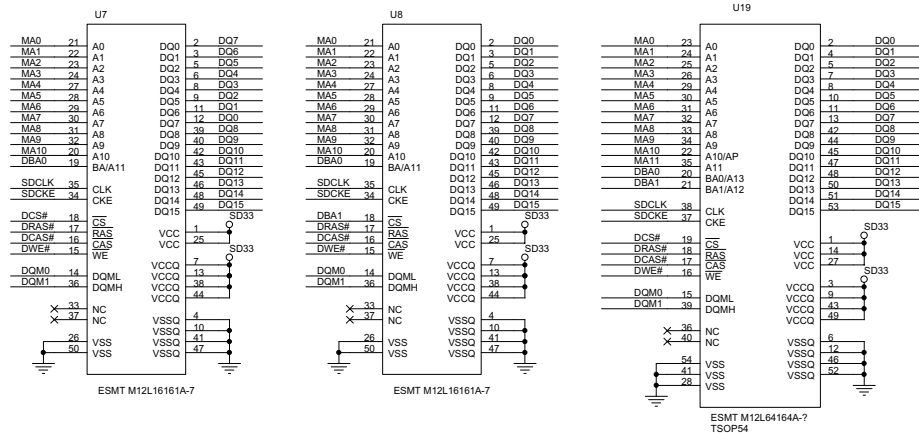


C1	C2	CE1	C2
C2	C2	CE2	C3
C3	C3	CE3	D2
C4	C3	CE4	D3
C5	D3	CE5	D3
C6	D4	CE6	E3
C7	D3	CE8	E2
C8	D3	CE10	F2
C9	D3	CE11	C4
C10	D3	CE12	C5
C11	D3	CE13	C5
C12	E3	CE14	D5
C13	E3	CE15	D5
C14	B4	CE16	D5
C15	B5	CE17	E5
C16	B5	CE49	E5
C17	B5	CN1	C1
C18	C4		
C19	E5	R1	D2
C19	C4	R2	D2
C20	D4	R3	D2
C21	D4	R4	D2
C21	D5	R5	D2
C22	D4	R6	E2
C23	D5	R7	E2
C24	E5	R8	D2
C25	E5	R13	E4
C26	F2	R21	D2
C27	F2	R81	C2
C28	F2	R111	C2
C29	F2	R147	D4
C30	F2	R211	B4
C31	F2	Q1	C2
C32	F2	Q2	D2
C33	F2	Q3	D2
C34	F2	Q4	E2
C35	F3	U1	C2
C37	F3	U2	D3
C89	D2	U12	D2
L1	C2		
L2	C3	ZD1	D2
L3	D3	ZD2	D2
L4	D3		
L5	D3		
L7	D2		
L8	E2		
L9	E3		
L10	B4		
L11	C4		
L12	C4		
L13	C4		
L14	D4		
L15	D4		
L16	D4		
L17	E4		
L18	E4		

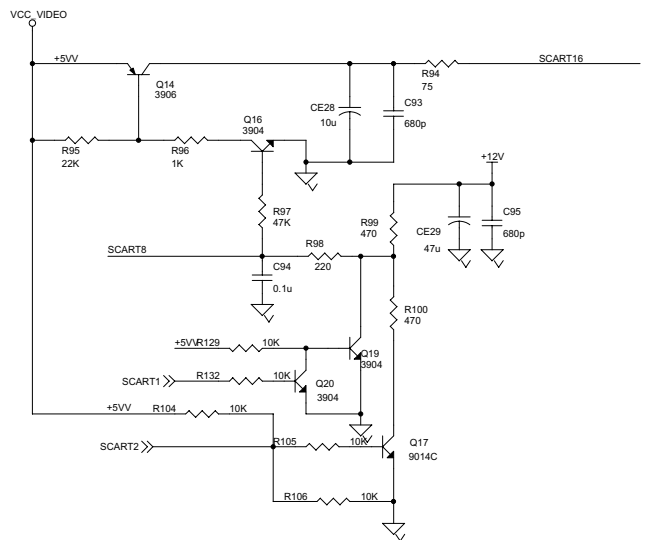


C36	C2	R33	C2	L20	D1
C38	A1	R34	C2	L21	D1
C39	A1	R35	C2	L27	E4
C40	A1	R36	D2	L28	E4
C41	A2	R37	D2	L29	E4
C42	A2	R38	D2	L30	E4
C43	B1	R39	D2	L31	E4
C44	B1	R40	D2	L32	E4
C45	B1	R41	D2	L33	E4
C46	B2	R42	E4		
C47	B2	R43	E4	U3	C3
C48	B2	R44	E4	U4	A1
C49	B2	R45	E1	U5	A2
C50	B2	R46	E1	U6	E2
C51	B2	R47	E1	Y1	A1
C52	B2	R48	E2	Q5	C1
C53	B2	R49	E2	Q6	C1
C55	C2	R50	E2	Q7	C1
C56	C2	R51	E1	Q8	D1
C57	C1	R52	E1	Q9	D1
C58	D1	R53	E1	Q10	D3
C59	D2	R54	E2	Q11	D3
C60	D2	R55	A1	Q12	E3
C61	D2	R56	A1	Q13	E3
C62	D1	R57	A1		
C63	E1	R58	A2		
C64	E1	R59	A2		
C65	E1	R60	E2		
C66	E2	R61	E2		
C67	E2	R63	E3		
C68	E3	R64	E3		
C69	E3	R65	E3		
C70	E3	R66	E3		
C71	E3	R67	E3		
C72	E3	R68	E3		
C73	E3	R69	E3		
C74	A2	R70	E3		
C75	A2	R71	D4		
C76	A3	R72	A3		
C77	A3	R73	A3		
C78	A3	R74	A3		
C79	A3	R75	A3		
C80	A3	R77	E4		
C81	A3	R78	B5		
C82	A3	R79	E4		
C83	A3	R80	B4		
C84	A3	R82	B1		
C85	A3	R83	B1		
C86	A3	R209	B5		
C87	A3	R210	B5		
C88	B4	R205	B5		
C131	F4	R208	B5		
C134	F4	R149	B5		
CN2	D2	R158	B5		
CN3	B2	R160	B5		
CN4	B1	R195	E2		
CN5	E4	R196	E2		
CN6	E4	R197	E2		
CE21	A3	R198	E2		
CE23	C2	R199	E2		
CE24	C2	R200	A2		
CE25	C2	RN1	E3		
CE26	D2				
CE18	D2				
R9	B1				
R10	B1				
R11	B2				
R12	A2				
R14	F4				
R15	B1				
R17	B1				
R18	B1				
R19	B1				
R20	B1				
R22	E1				
R27	C1				
R28	C1				
R29	C1				
R30	C1				
R31	C1				
R32	C1				
D1	D4				

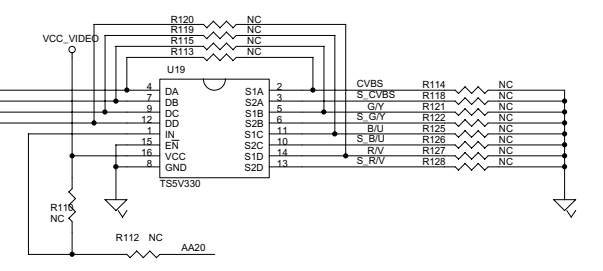
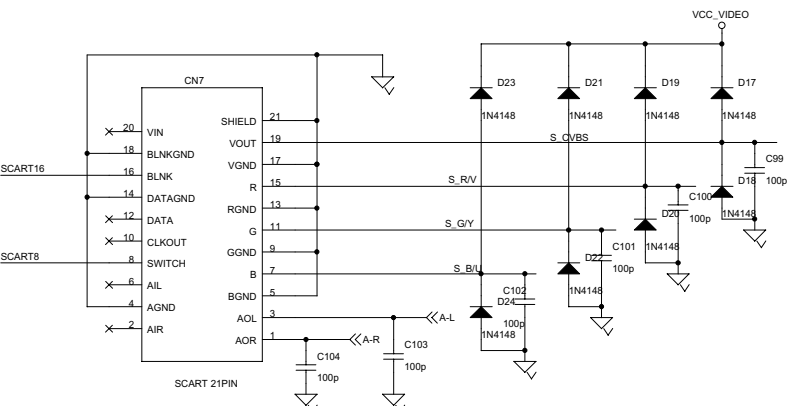
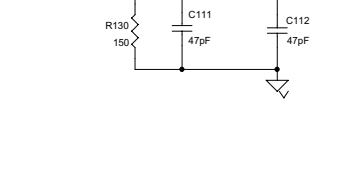
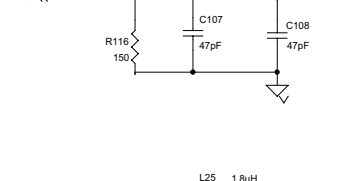
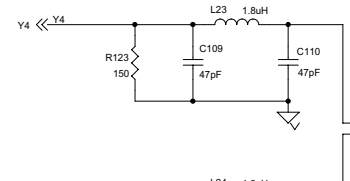
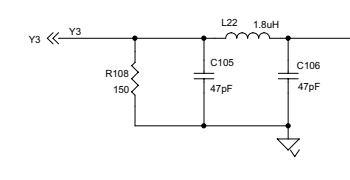
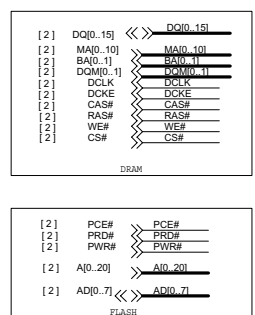
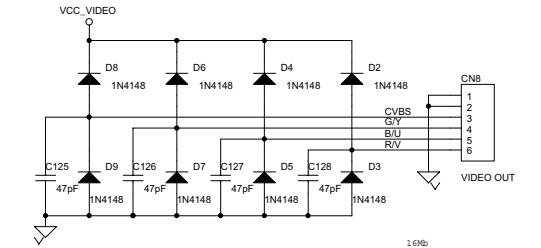
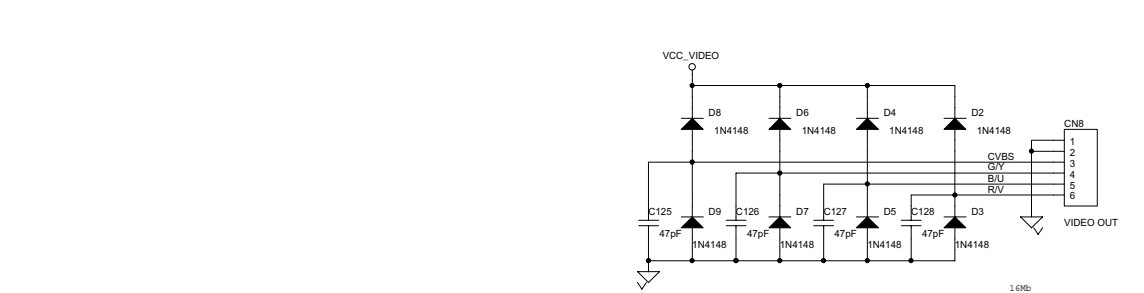
Main Board : SDRAM,FLASH,VIDE FILTER & SCART OUT PUT for DVP3002/93 DVP3020/05



C92	A5	R85	A5
C93	C2	R86	A5
C94	C1	R87	B5
C99	E2	R88	B5
C100	E2	R89	B5
C101	E2	R90	B5
C102	F2	R91	B5
C103	F1	R92	B3
C104	F1	R93	A3
C105	D3	R94	B2
C106	D3	R95	C1
C109	E3	R96	C1
C110	E3	R97	C1
C107	E3	R98	C1
C108	E3	R99	C2
C111	F3	R100	C2
C112	F3	R104	D1
C125	C4	R105	D1
C126	C4	R106	D1
C127	C5	R108	D3
C128	C5	R110	E4
CE28	C1	R112	E4
CE29	C2	R113	D4
CN7	E1	R114	E5
CN8	C5	R115	D4
Q14	B1	R116	E3
Q16	C1	R118	E5
Q17	D1	R119	D4
Q19	C1	R120	D4
Q20	C1	R121	E5
D2	C5	R123	E5
D3	C5	R125	E5
D4	C5	R126	E5
D5	C5	R127	E5
D6	C5	R128	E5
D7	C5	R129	C1
D8	C4	R130	F3
D9	C4	R132	C1
D17	E2	RN2	A5
D18	E2	U7	A1
D19	E2	U8	A2
D20	E2	U9	A3
D21	E2	U10	A5
D22	F2	U12	E4
D23	E2	U17	A4
L22	D3	U19	A2
L23	D3		
L24	E3		
L25	F3		

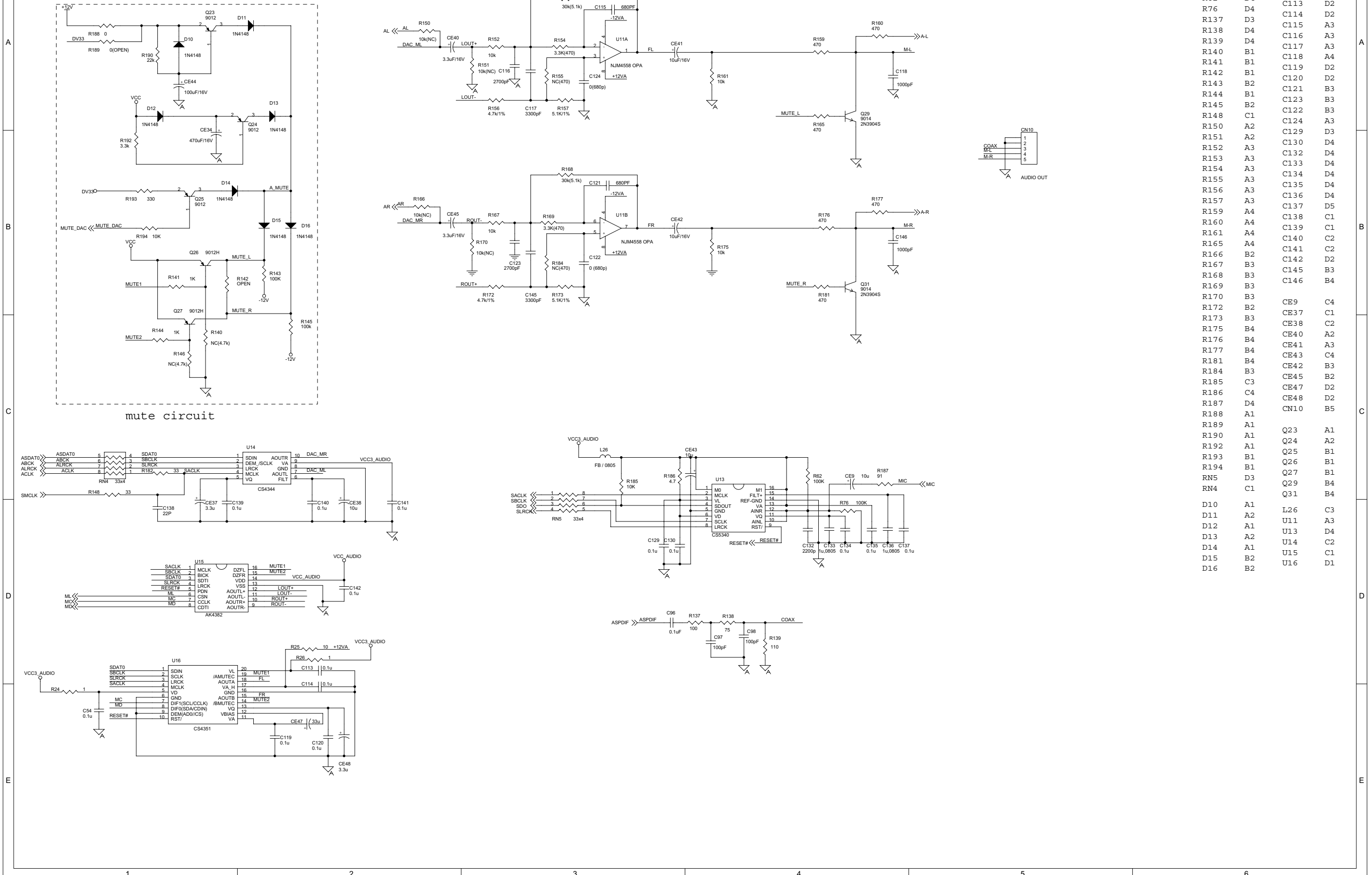


SCART1	SCART2	SCART8	SCART16
1	0	12V (9.5V - 12V 4:3)	3V ( RGB )
1	1	6V ( 5V - 8V 16:9 )	3V ( RGB )
0	0	0V TV MODE	0V ( CVBS )



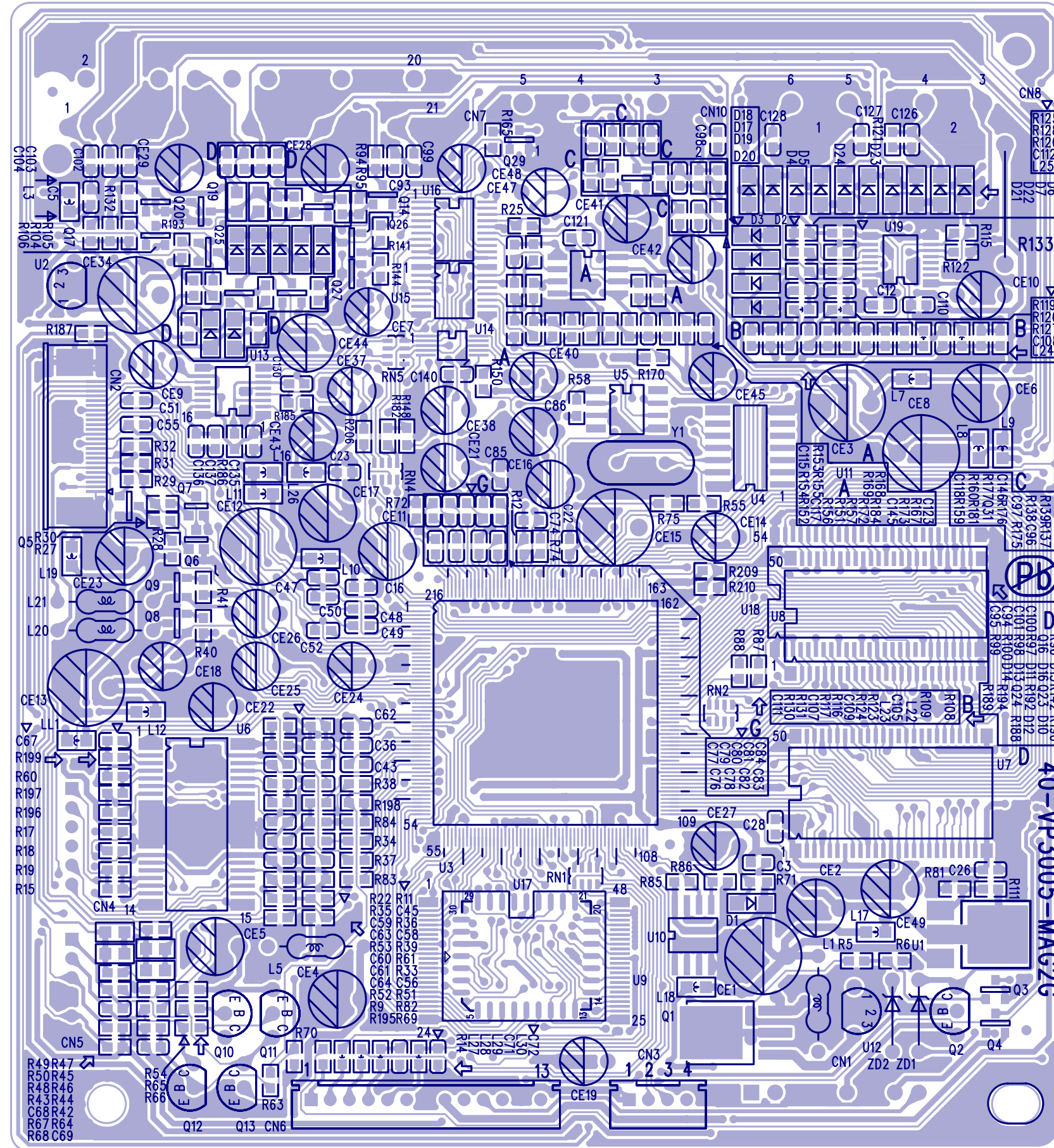


Main Board : AUDIO FILTER & OUT PUT  
for DVP3002/93 DVP3020/05



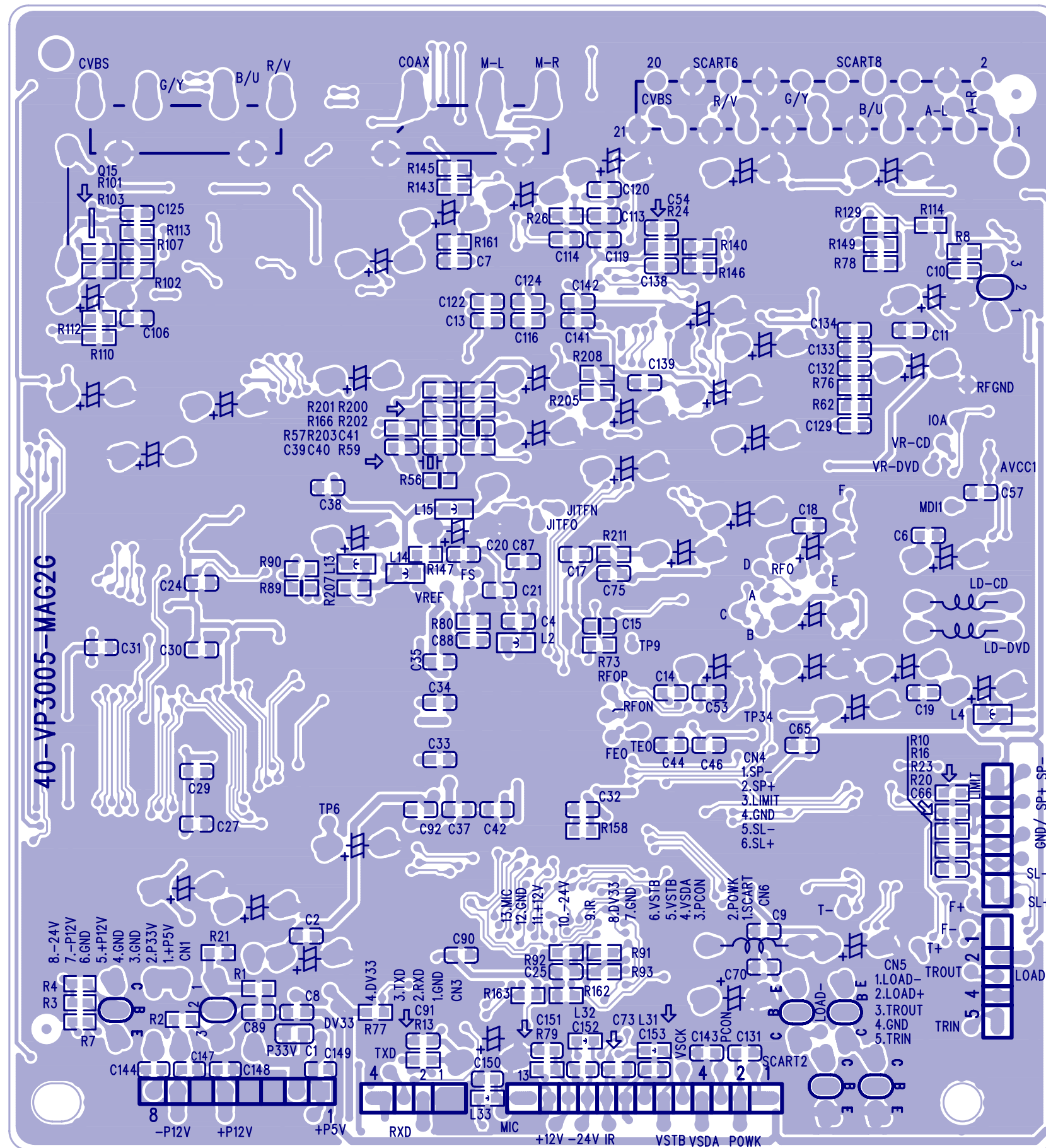
R24	D1	C54	D1
R25	D2	C96	D3
R26	D2	C97	D4
R62	D4	C98	D4
R76	D4	C113	D2
R137	D3	C114	D2
R138	D4	C115	A3
R139	D4	C116	A3
R140	B1	C117	A3
R141	B1	C118	A4
R142	B1	C119	D2
R143	B2	C120	D2
R144	B1	C121	B3
R145	B2	C122	B3
R148	C1	C124	A3
R150	A2	C129	D3
R151	A2	C130	D4
R152	A3	C132	D4
R153	A3	C133	D4
R154	A3	C134	D4
R155	A3	C135	D4
R156	A3	C136	D4
R157	A3	C137	D5
R159	A4	C138	C1
R160	A4	C139	C1
R161	A4	C140	C2
R165	A4	C141	C2
R166	B2	C142	D2
R167	B3	C145	B3
R168	B3	C146	B4
R169	B3		
R170	B3	CE9	C4
R172	B2	CE37	C1
R173	B3	CE38	C2
R175	B4	CE40	A2
R176	B4	CE41	A3
R177	B4	CE43	C4
R181	B4	CE42	B3
R184	B3	CE45	B2
R185	C3	CE47	D2
R186	C4	CE48	D2
R187	D4	CN10	B5
R188	A1		
R189	A1	Q23	A1
R190	A1	Q24	A2
R192	A1	Q25	B1
R193	B1	Q26	B1
R194	B1	Q27	B1
RN5	D3	Q29	B4
RN4	C1	Q31	B4
D10	A1	L26	C3
D11	A2	U11	A3
D12	A1	U13	D4
D13	A2	U14	C2
D14	A1	U15	C1
D15	B2	U16	D1

Main Board Print-layout (Top Side) for DVP3002/93 DVP3020/05

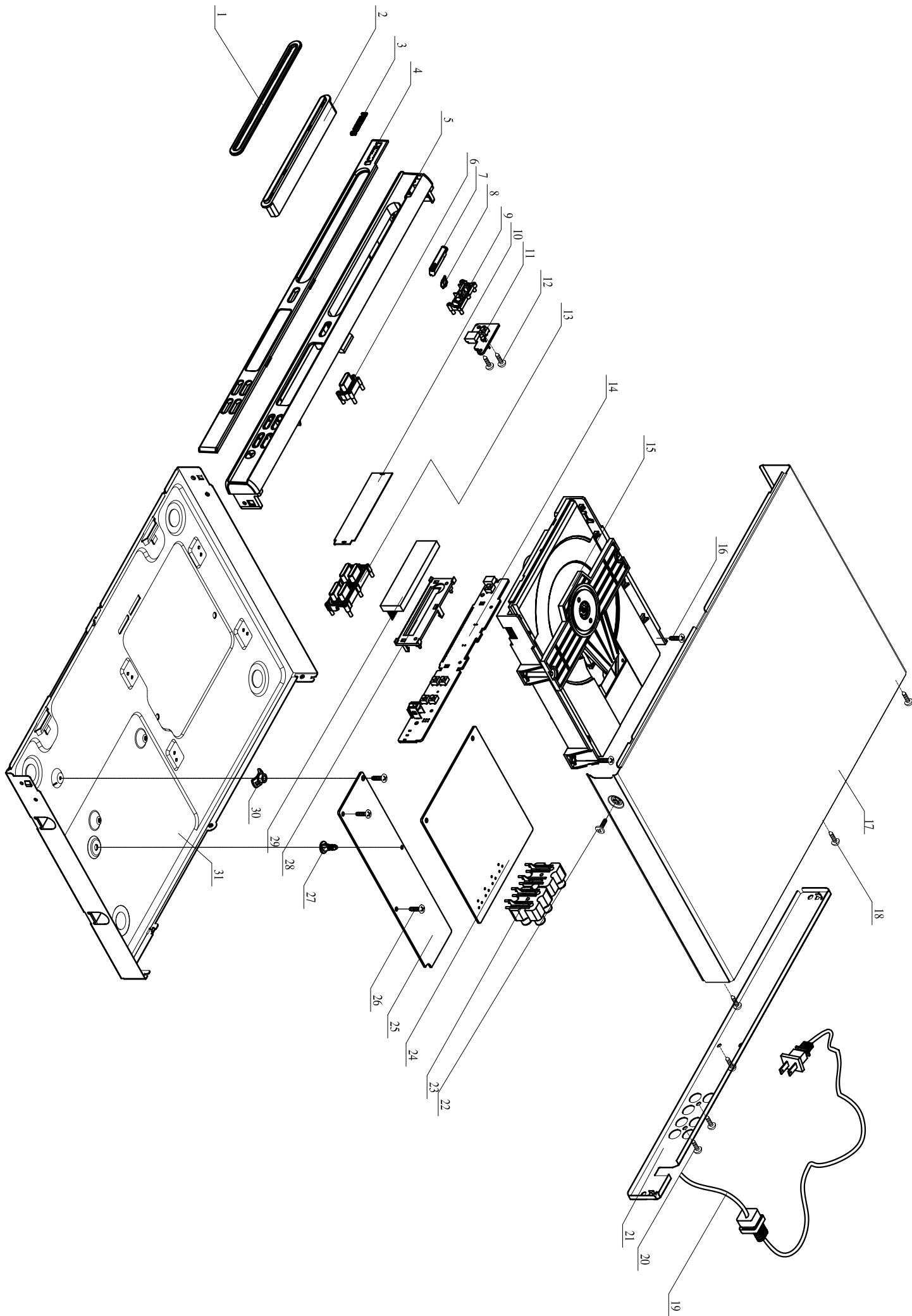


40-VP3005-MAG2C

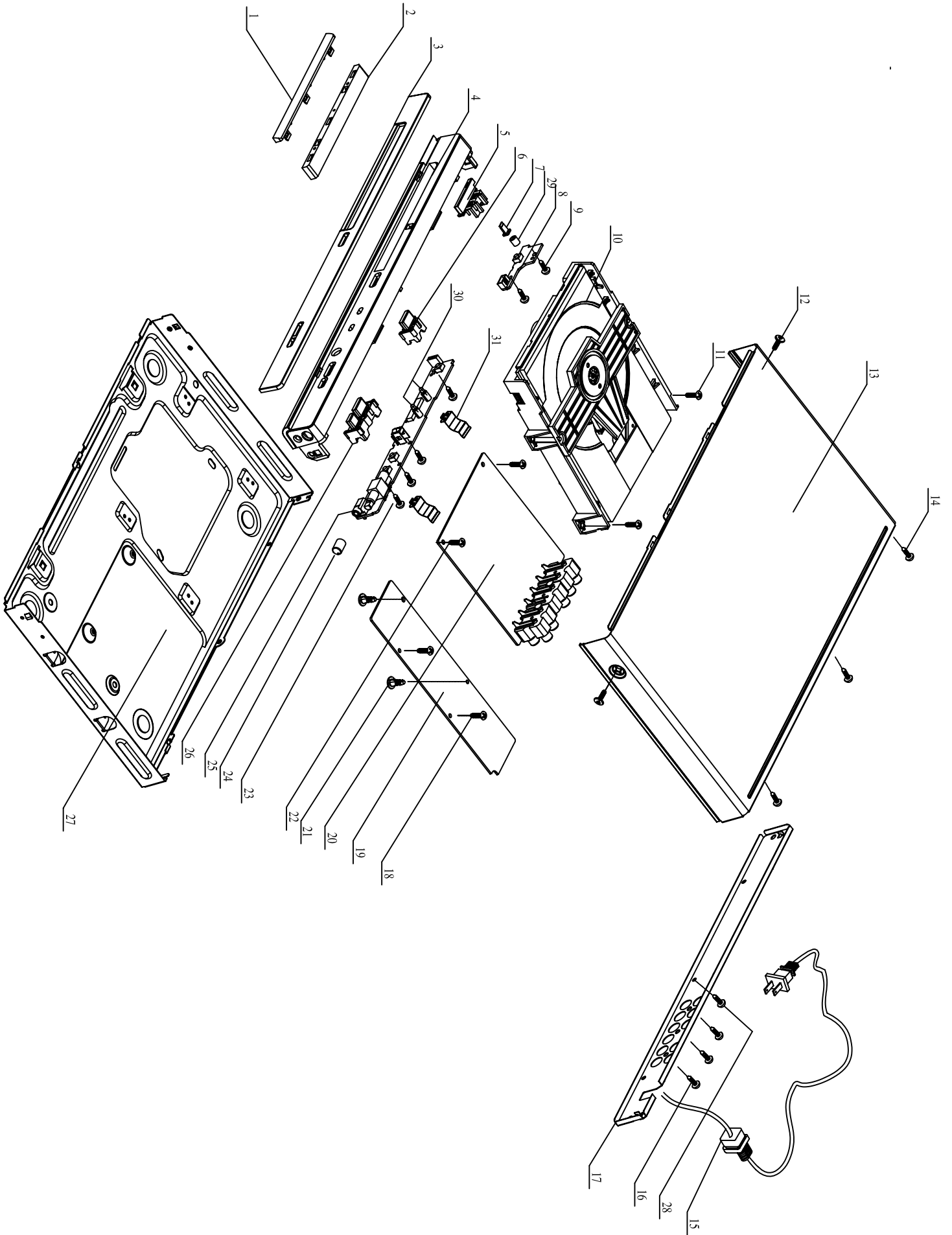
Main Board Print-layout (Bottom Side) for DVP3002/93 DVP3020/05



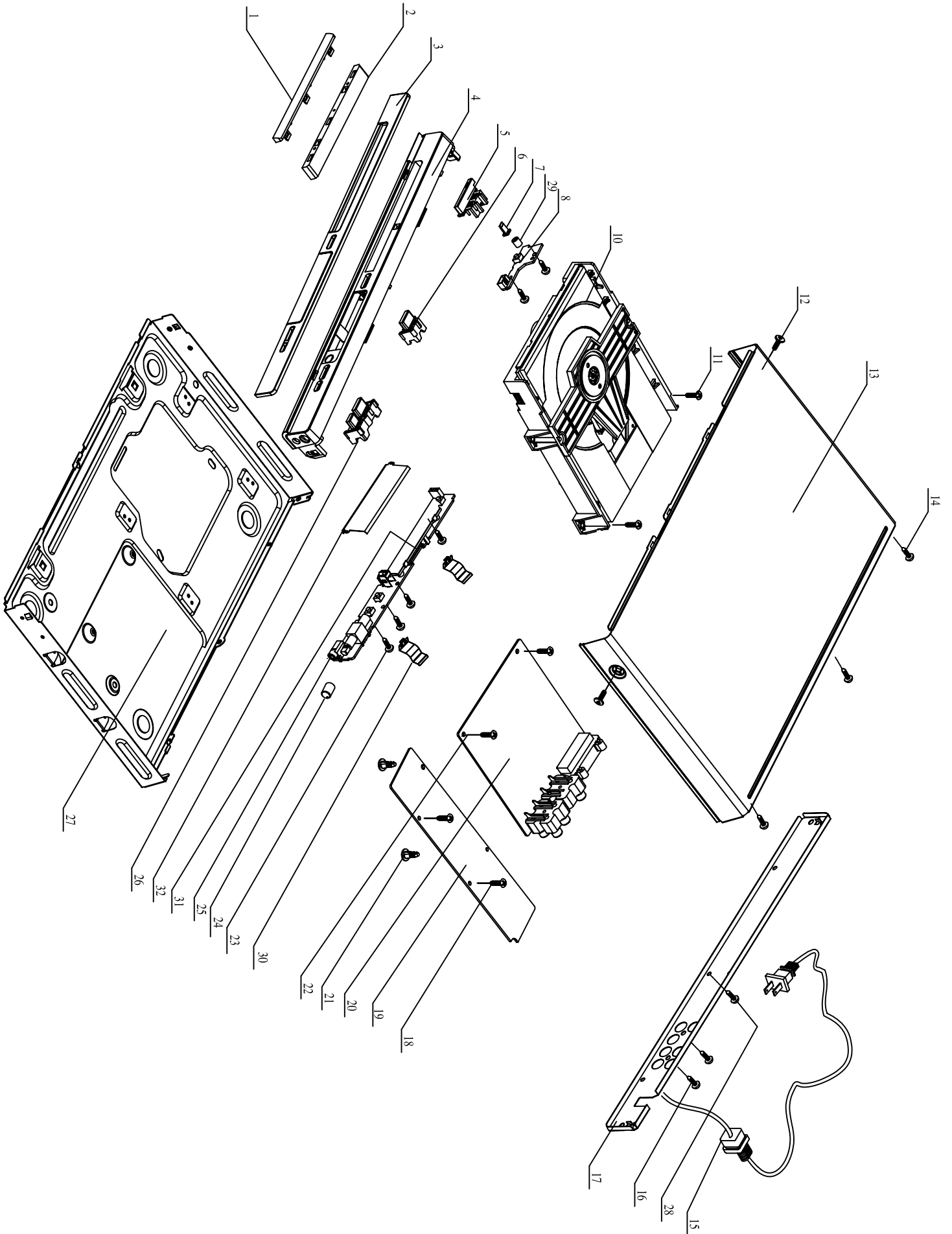
# DVP3002 Mechanical Exploded view



DVP3015K Mechanical Exploded View



DVP3020(K)/3026(K)/3040(K)/3028/3042/3046 Mechanical Exploded View



## MAIN ENCASING & ACCESSORIES PARTS LIST

### DVP3040K/98/55/51/93/78

10	9965 000 34182	ASS'Y-LOADER
15	9965 000 23298 \$	MAINS CABLE 1 65M W/2PIN CONN
15	9965 000 23406 \$	MAINS CABLE 1.65M (/93 ONLY)
19	9965 000 34180	ASS'Y-PW BD
20	9965 000 34195	ASSY-MAIN BD (/98/55 ONLY)
20	9965 000 34177	ASSY-MAIN BD (/51 ONLY)
20	9965 000 34906	ASSY-MAIN BD (/93 ONLY)
20	9965 000 38692	ASSY-MAIN BD (/78 ONLY)
24	9965 000 34179	ASS'Y-FB BD
08	9965 000 34178	ASS'Y-SW BD
AC	9965 000 22497	AUDIO CABLE 1 5M WHITE/RED
RC	9965 000 34181	REMOTE CONTROL
VC	9965 000 22495	VIDEO CABLE 1 5M YEL

### DVP3040/37/12 & DVP3042/12

RC	9965 000 34176	REMOTE CONTROL
----	----------------	----------------

### DVP3020K/03 & DVP3015K/03

RC	9965 000 34181	REMOTE CONTROL
----	----------------	----------------

### DVP3020/98/55/94/78/75/77

10	9965 000 34190	ASS'Y- LOADER
15	9965 000 34200 \$	POWER CORD1880 /-20MM (/55 ONLY)
15	9965 000 13933 \$	POWER CORD 1880 +/-20MM (98 ONLY)
15	9965 000 23404 \$	MAIN CABLE 165M W/2PIN (/95 ONLY)
15	9965 000 23298 \$	MAIN CABLE 165M W/2PIN (94 ONLY)
19	9965 000 34189	ASS'Y-PW BD (/55/78/94/77/75 ONLY)
19	9965 000 34192	ASS'Y-PW BD (/98 ONLY)
20	9965 000 34193	ASSY-MAIN BD (/98/55 ONLY)
20	9965 000 34898	ASSY-MAIN BD (/94 ONLY)
20	9965 000 34899	ASSY-MAIN BD (/78/77 ONLY)
20	9965 000 34897	ASSY-MAIN BD (/75 ONLY)
24	9965 000 34194	ASS'Y-FB BD
24	9965 000 34900	ASS'Y-FB BD (/78/77 ONLY)
08	9965 000 34178	ASS'Y-SW BD
AC	9965 000 22497	AUDIO CABLE 1 5M WHITE/RED
RC	9965 000 34176	REMOTE CONTROL
VC	9965 000 22495	VIDEO CABLE 1 5M YEL

### DVP3020/05

RC	9965 000 34176	REMOTE CONTROL
----	----------------	----------------

### DVP3002/93

24	9965 000 34896	ASSY-MAIN BD
11	9965 000 26762	ASS'Y-SWITCH BOARD
14	9965 000 26771	ASS'Y - FRONT CTL BD
25	9965 000 26761	ASS'Y-POWER BOARD
RC	3141 017 90220	REMOTE CONTROL DVD-Q30/751
15	9965 000 34182	ASS'Y-LOADER
VC	9965 000 22495	VIDEO CABLE 1,5M YEL
AC	9965 000 22497	AUDIO CABLE 1,5M WHITE/RED
19	9965 000 23406 \$	MAINS CABLE 1,65M W/2PIN CONN.

### DVP3046/94

20	9965 000 34907	ASSY-MAIN BD
8	9965 000 34178	ASS'Y-SW BD
24	9965 000 34194	ASS'Y-FB BD
19	9965 000 34180	ASS'Y-PW BD
RC	9965 000 34176	REMOTE CONTROL
10	9965 000 34182	ASS'Y-LOADER
VC	9965 000 22495	VIDEO CABLE 1,5M YEL
AV	9965 000 22497	AUDIO CABLE 1,5M WHITE/RED
15	9965 000 23298 \$	MAINS CABLE 1,65M W/2PIN CONN.

### DVP3026K/93/98

20	9965 000 34904	ASSY-MAIN BD (93)
20	9965 000 34905	ASSY-MAIN BD (98)
8	9965 000 34178	ASS'Y-SW BD
24	9965 000 34179	ASS'Y-FB BD
19	9965 000 34189	ASS'Y-PW BD (93)
19	9965 000 34192	ASS'Y-PW BD (98)
RC	9965 000 34181	REMOTE CONTROL
10	9965 000 34190	ASS'Y- LOADER
VC	9965 000 22495	VIDEO CABLE 1,5M YEL
AV	9965 000 22497	AUDIO CABLE 1,5M WHITE/RED
15	9965 000 23406 \$	MAINS CABLE 1,65M W/2PIN CONN. (93)
15	9965 000 13933 \$	POWER CORD 1880 +/-20MM (98)

### DVP3026/94

20	9965 000 34903	ASSY-MAIN BD
8	9965 000 34178	ASS'Y-SW BD
24	9965 000 34194	ASS'Y-FB BD
19	9965 000 34189	ASS'Y-PW BD
RC	9965 000 34176	REMOTE CONTROL
10	9965 000 34190	ASS'Y- LOADER
VC	9965 000 22495	VIDEO CABLE 1,5M YEL
AC	9965 000 22497	AUDIO CABLE 1,5M WHITE/RED
15	9965 000 23298 \$	MAINS CABLE 1,65M W/2PIN CONN.

### DVP3015K/93/98/55/74

10	9965 000 34190	ASS'Y- LOADER
15	9965 000 23406 \$	MAINS CABLE 1 65M (/93/55)
15	9965 000 23298 \$	MAINS CABLE 1 65M (74)
15	9965 000 13933 \$	POWER CORD 1880 +/-20MM (98)
19	9965 000 34189	ASS'Y-PW BD (/55/93/74)
19	9965 000 34192	ASS'Y-PW BD (98)
20	9965 000 34191	ASSY-MAIN BD(74)
20	9965 000 34187	ASSY-MAIN BD (93/98/55)
25	9965 000 34188	ASS'Y-FB BD
08	9965 000 34178	ASS'Y-SW BD
AC	9965 000 22497	AUDIO CABLE 1 5MM WHITE/RED
RC	9965 000 34181	REMOTE CONTROL
VC	9965 000 22495	VIDEO CABLE 1 5M YEL

Note: Only the parts mentioned in this list are normal service spare parts.

**DVP3020K/98/61/55/74/96**

20	9965 000 34901	ASSY-MAIN BD (/98/74 ONLY)
20	9965 000 34902	ASSY-MAIN BD (/61/55 ONLY)
20	9965 000 38690	ASSY-MAIN BD (/96 ONLY)
8	9965 000 34178	ASS'Y-SW BD
VC	9965 000 22495	VIDEO CABLE 1,5M YEL
24	9965 000 34179	ASS'Y-FB BD
AC	9965 000 22497	AUDIO CABLE 1,5M WHITE/RED
15	9965 000 13933 \$	MAINS CORD 1880 +/-20MM (/98 ONLY)
15	9965 000 34200 \$	MAINS CORD 1880 /-20MM (/55 ONLY)
15	9965 000 23517 \$	MAINS CABLE 1,65M (/61 ONLY)
15	9965 000 23298 \$	MAINS CABLE 1,65M (74 ONLY)
19	9965 000 34192	ASS'Y-PW BD (/98 ONLY)
19	9965 000 34189	ASS'Y-PW BD (/61/55/74 ONLY)
RC	9965 000 34181	REMOTE CONTROL
10	9965 000 34190	ASS'Y- LOADER

**DVP3020/61/74/96**

8	9965 000 34178 S	ASS'Y-SW BD
10	9965 000 34190 S	ASS'Y- LOADER
15	9965 000 23517 \$	MAINS CABLE 1,65M (/61 Only)
15	9965 000 23298 \$	MAINS CABLE 1,65M (/74 Only)
15	9965 000 29257 \$	AC CORD PLUG (/96 Only)
19	9965 000 34189 S	ASS'Y-PW BD
20	9965 000 34193 S	ASSY-MAIN BD
24	9965 000 34194 S	ASS'Y-FB BD
AC	9965 000 22497 S	AUDIO CABLE 1,5M WHITE/RED
RC	9965 000 34176 S	REMOTE CONTROL
VC	9965 000 22495 S	VIDEO CABLE 1,5M YEL
15	9965 000 29257 \$	AC CORD PLUG (/96 Only)

**DVP3028/94**

8	9965 000 34178	ASS'Y-SW BD
10	9965 000 34190	ASS'Y- LOADER
15	9965 000 23298 \$	MAINS CABLE 1,65M W/2PIN CONN.
19	9965 000 34189	ASS'Y-PW BD
20	9965 000 38691	ASSY-MAIN BD
24	9965 000 34194	ASS'Y-FB BD
AC	9965 000 22497	AUDIO CABLE 1,5M WHITE/RED
RC	9965 000 34176	REMOTE CONTROL
VC	9965 000 22495	VIDEO CABLE 1,5M YEL

Note: Only the parts mentioned in this list are normal service spare parts.



## REVISION LIST

### Version 1.0

\* Initial release

### Version 1.1

- Update of partlist with additional model.
- DVP3040k/93
- DVP3015k/03
- DVP3020/94/78/77/75
- DVP3046/94
- DVP3042/12
- DVP3026K/93/98
- DVP3026/94
- DVP3020K/98/66/55/03
- DVP3002/93

### Version 1.2

- Update of partlist with additional model.
- DVP3015K/74
- DVP3020/61/74/96
- DVP3020K/74/96
- DVP3028/94
- DVP3040k/78